



PACIFIC
WHOLESALE DISTRIBUTORS

Custom Made Blinds Manual



**Venetians
Cellulars
Transitions
Roma Shades
ClimaCell**

June 2026

Version 2026.1

T +61 2 9680 7999

E info@pacificwholesale.com.au | **W** www.pacificwholesale.com.au

Contents

1.	Introduction	3
2.	Custom Made Blinds	4
3.	Custom Made Venetian Blinds	5
4.	Internal Aluminium Venetian Blinds	11
5.	External Aluminium Venetian Blinds	14
6.	Custom Made Cellular Blinds.....	17
7.	Transition Shades	37
8.	Custom Made Roma Shades	43
9.	Custom Made ClimaCell Blinds	46
10.	Measuring	50
11.	Ordering Process	52
12.	Sales Aids	57
13.	Custom Made Blinds Questions & Answers	64
14.	Custom Made Blinds Reference Chart	65

The **Pacific Wholesale Distributors Terms & Conditions** can be viewed here;
[Pacific Wholesale Distributors Australia Terms & Conditions](#)

1. Introduction

The Custom Made Blinds Range offers an extensive range of window furnishing options to suit any application, with a wide range of product, material, and colour choices.

Elegant and stylish Custom Made Blinds will add value to a home and will enhance the living spaces. The vast range of Custom Made Blinds ensures an easy solution for all applications. With the added advantage of being energy efficient, which helps to keep homes cooler in summer and warmer in winter.

Supporting this great range are swatches and sales aids that can be used by all sales and showroom staff when promoting the Custom Made Blind range, please refer to [Sales Aids](#).



2. Custom Made Blinds

What are Custom Made Blinds?

- Custom Made Blinds offer a range of solutions for window coverings.
- Custom Made Blinds have been designed to be aesthetically pleasing following the latest trends and colours.
- Custom Made Blinds are made to your specifications to ensure a perfect fit for every application.
- Custom Made Blinds come with safety devices to comply with Australian Child Safety Standards.

Custom Made Blinds Range:

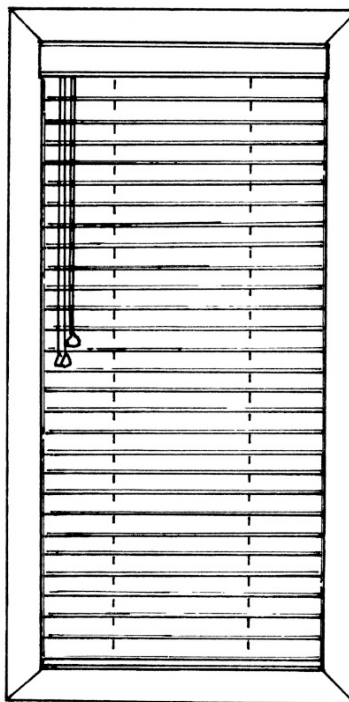
All Custom Made Blinds offer the above advantages with specific features according to the product types as follows:

- ✓ Venetian Blinds
 - 50mm and 63mm PS Venetians
 - 50mm Timber Venetians
 - 50mm and 63mm PS Privacy Venetians
- ✓ Internal Aluminium Venetian Blinds
 - 25mm, 30mm, 35mm and 50mm
- ✓ Cellular Blinds
 - 25mm Single Cell
 - 38mm Single and Double Cell
 - 45mm Single Cell
 - 45mm Cell-In-Cell
- ✓ ClimaCell Blinds
- ✓ Transition Shades
 - Multi Shades
 - Triple Shades
 - Roma Shades

3. Custom Made Venetian Blinds

3.1 50mm & 63mm PS Venetian Blinds

- The 50mm and 60mm PS Venetian Blind slats are manufactured from compressed polystyrene; this has been tested to withstand temperatures of up to 75 Degrees. (*PS Slat withstands much higher temperatures than PVC*).
- The 50mm and 63mm PS Venetian Blind uses a 51.5mm x 57.5mm roll formed steel painted head rail. The end mounts and centre brackets are made of steel to provide strength, and are painted to match the colour of the head rail.
- 2.2mm non-stretch cord is provided for slat rotation.
- Slat tilting is controlled by a solid cast body wand tilter with a strong metal tilt drive insert. A metal bodied cord lock is also used to ensure product longevity.
- PS slats are water resistant making them ideal for wet areas, and are also resistant to chipping and cracking.
- To ensure privacy, the PS Venetian Blind is manufactured using a 42mm pitched ladder braid, which creates a generous overlap of the slats when the blind is closed.
- Ladder braid, plastic components have all been colour matched to the slat.
- An 85mm decorative fascia with concealed metal mounting clips is standard with PS Venetian blinds.
- A trapezoid bottom rail provides improved closure.
- Clear polycarbonate hold-down clips are provided as an option, to stabilise the bottom rail in the window.

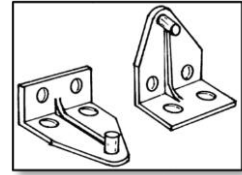


For details on the Colours for Venetians slat/blades, please refer to the [Custom Made Blind Reference Chart](#)

3.2 50mm & 63mm PS Venetian Blinds Options & Parts

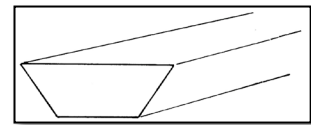
Hold Down Clips

- Holds down clips made from reinforced polycarbonate plastic and are optional at no extra cost.
- Holds down clips are an ideal option for venetian blinds that are used on doors and windows which can be opened. They will help prevent the blinds from swinging due to the wind.



Bottom Rails

- All PS and Privacy venetian blinds have a unique trapezoid shaped bottom rail which assists with smoother tilting and closing operation.

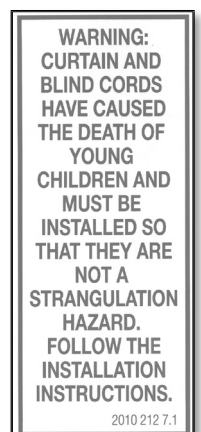
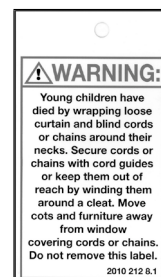
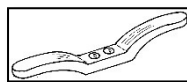
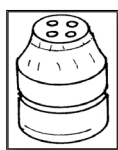


Fascia

- A standard 85mm decorative fascia is supplied with PS and PS Privacy venetian blinds. These come with concealed metal mounting clips.
- Common fascia's are also available when installing two or more blinds together in the same opening.
- The maximum length for a single fascia is 2700mm. Fascias longer than 2700mm will be supplied as separate pieces, which can be connected with a metal joiner supplied.

Safety Features

- All venetian blinds will have a colour matched plastic breakaway safety tassel as part of lift cord system. This safety tassel is designed to break apart to stop a loop from forming which is a strangulation hazard. This complies with Child Safety Regulations.
- All Venetian blinds are supplied with clear polycarbonate cord cleats to tie off the cord when the blinds are raised.
- Warning labels are also attached to the blinds to alert consumers to the possible risks in the blind operation. This complies with Child Safety Regulations.
- The installer is required by law to ensure all safety devices are installed correctly and they must also attach a signed sticker or tag as per "Fitter Requirements" by law.



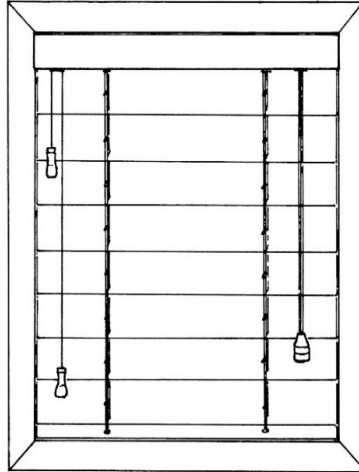
3.3 50mm & 63mm PS Venetian Blinds Stack Heights

Below are the standard stack heights for each blind drop.

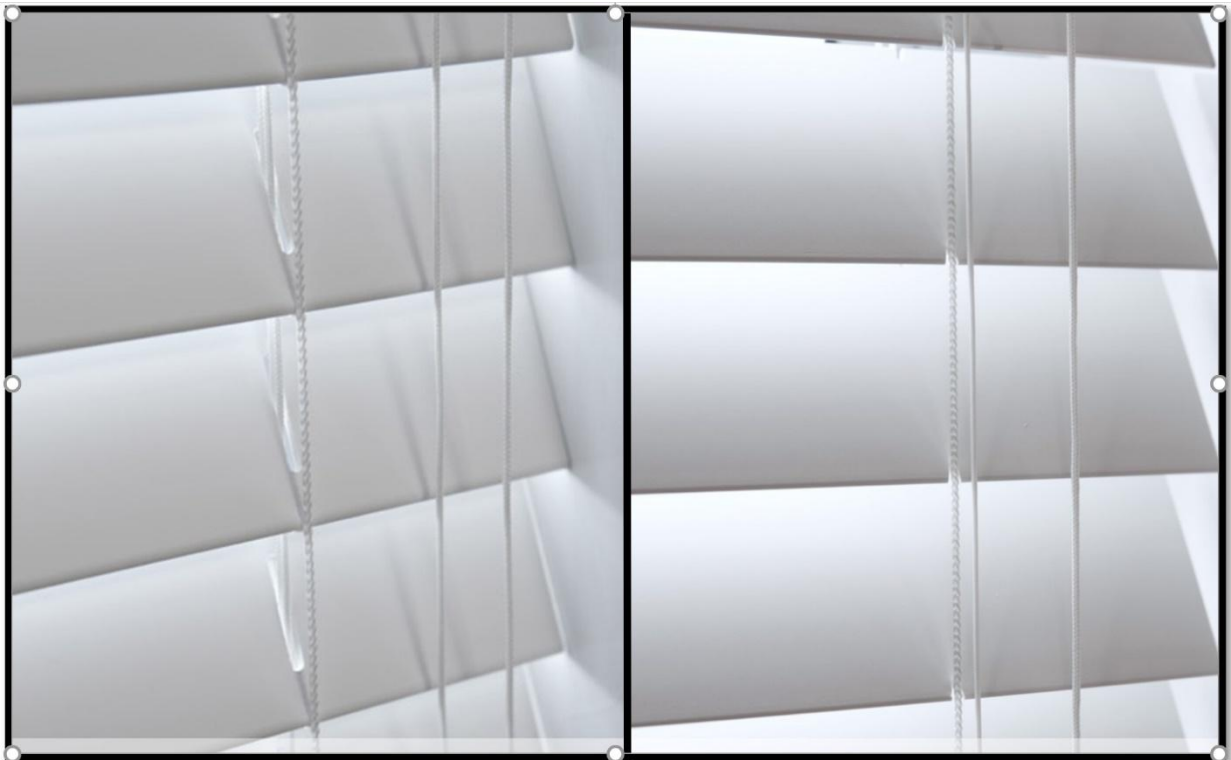
Blind Drop	Stack Height
500mm	104mm
1000mm	144mm
1500mm	184mm
2000mm	224mm
2500mm	264mm
3000mm	304mm

3.4 50mm & 63mm PS Privacy Venetian Blinds

- The 50mm and 63mm PS Privacy Blind offers all the benefits of the 50mm and 63mm PS Venetian blind range.
- The 50mm and 63mm PS Privacy Blind has no punch holes in the slat, and the ladder runs on the outer edge of the slats. This design provides greater privacy and light filtering to the standard PS Venetian Blinds.



STANDARD VENETIAN BLIND compared to PRIVACY VENETIAN BLIND



For details on the Colours for Venetians slat/blades, please refer to the [Custom Made Blind Reference Chart](#)

3.5 Cut Outs – Only for PS Venetians

If a cut out is required, please specify the height from the bottom of the door or frame to the top and bottom of the cut out. If the cut out is difficult, or more than one cut out on each side is required, then a clear drawing will be required.

Please ensure all cells for the cut-out options have been completed before sending through the order.



Gross Open Width	Gross Open Height
2200	2000

Cut Out	Cut Out Height Left	Cut Out Width Left	Cut Out Height Right	Cut Out Width Right
Yes			1100	30

- A. Overall Blind Height
- B. Overall Blind Width
- C. Depth of Cut Out
- D. Cut Out Width

3.6 Selling Tips

- Venetian Blinds are ideal in a situation where windows are left open to allow ventilation, as they provide control over light and privacy, without damage to the blind. They wipe clean and are stable in a breeze with hold-downs.
- Always check that there is a position where cords can be tied off for Child Safety.
- In the reveal, minimum depth required is 60mm (65 for 63mm blade) plus 12-15mm for the Fascia.
- If space is tight, the fascia can be ordered longer to either fit into the quirk, or with returns, to be installed as semi-reveal.
- Venetian Blinds will not achieve total light block out, especially tall/large blinds. The longer the blind, the more light will seep in, when closed.
- Venetian Blinds close better one way – usually down.
- They are not made to be stacked every day. They should be pulled up to a stacked position and released again every 2 months or so, as regular maintenance.
- Avoid ordering single blinds that exceed approx. 4m². Large blinds place stress on the mechanisms and on the operator as they are heavy. All large blinds should be supported when raised or lowered.
- Small blinds may have lift cords on the opposite side of the head rail from the tilt cords.
- PS contains stabilisers, however over a period of exposure, PS may discolour in direct sunlight.
- Venetian Blinds are better if installed in a reveal aesthetically and as components are covered, therefore not as exposed to dust, salt air, atmospheric moisture and toxins.
- 63mm Venetian Blinds can give the appearance of a shutter from outside the home, which is a good option where the budget is tight.

4. Internal Aluminium Venetian Blinds

4.1 25mm, 30mm, 35mm & 50mm Internal Aluminium Venetian Blinds

- The 25mm, 30mm, 35mm and 50mm Internal Aluminium Venetian Blinds are made from horizontal aluminum slats that can be tilted, raised, or lowered to control light, privacy, and airflow.
- The Blinds consist of a headrail mounted inside the window recess or on the wall, a tilt mechanism to angle the slats and a lift mechanism to raise and lower the blind.
- By adjusting the slat angle, you can fine-tune how much sunlight enters a room while maintaining privacy.
- Available in a wide range of standard sizes with C, L & S blade profiles
- 2.2mm non-stretch cord is provided for slat rotation.
- Slat tilting is controlled by a solid cast body wand tilter with a strong metal tilt drive insert. A metal bodied cord lock is also used to ensure product longevity.
- PS slats are water resistant making them ideal for wet areas.
- Components have all been colour matched to the slat.
- Clear polycarbonate hold-down clips are provided as an option, to stabilise the bottom rail in the window.

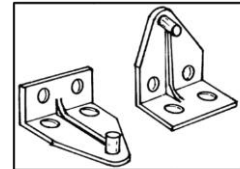
4.2 Features and Benefits

- Light control for precise adjustment of natural light levels. Allowing control over direct sun exposure, whilst allowing daylight.
- Adjustable slats to provide varying degrees of privacy, suitable for street-facing rooms and offices.
- Aluminium resists warping, cracking and moisture damage, making these a great choice for areas such as kitchens and bathrooms
- Low maintenance, with an easy cleaning process. Simply wipe or dust to clean the slats.
- Large range of colours and finishes. Available in contemporary, metallic, matte, gloss and patterned finishes.
- Available with corded, wand, cordless and motorised operation options. *(slat size depends on operation that can be selected)*
- Slim, lightweight design. Takes up little space when raised and suitable for both small & large windows.
- Lightweight construction reduces strain on lifting mechanisms. Generally easier and safer to operate.

4.3 Options & Parts

Hold Down Clips

- Hold down clips made from reinforced polycarbonate plastic and are optional at no extra cost.
- Holds down clips are used on doors and windows which can be opened. They will help prevent the blinds from swinging due to the wind.

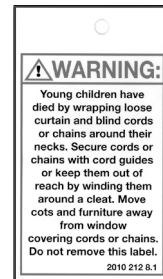
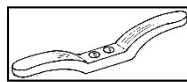
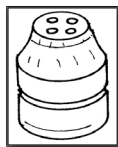


Headbox

- A standard headbox is supplied with Internal Aluminium Venetian Blinds. These come with concealed metal mounting clips.

Safety Features

- All internal aluminium venetian blinds are supplied with clear polycarbonate cord cleats to tie off the cord when the blinds are raised.
- Warning labels are also attached to the blinds to alert consumers to the possible risks in the blind operation. This complies with Child Safety Regulations.
- The installer is required by law to ensure all safety devices are installed correctly and they must also attach a signed sticker or tag as per “Fitter Requirements” by law



4.4 Blade Profiles

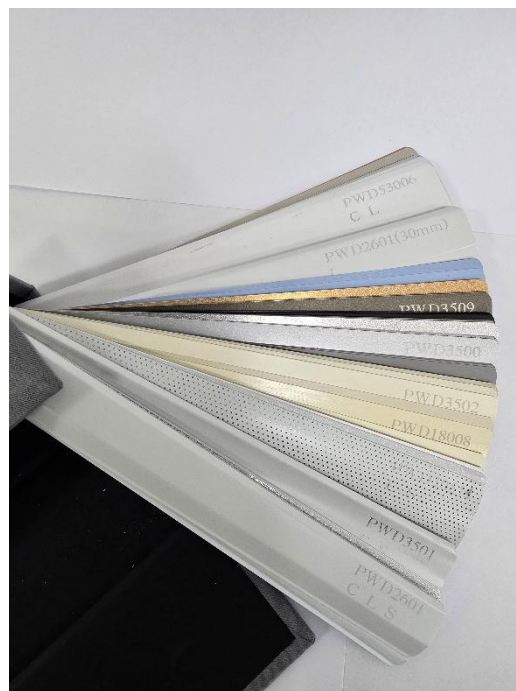
C – Available in 25mm, 35mm and 50mm slat size and large range of colours.

S - Available in 25mm & 35mm slat size and large range of colours.

L - Available in 25mm, 30mm & 50mm slat size and large range of colours.

4.5 Selling Tips

- Strong, durable materials contribute to a long service life.
- Maintains appearance in bathrooms and kitchens.
- No laundering or specialist cleaning required. Simple routine dusting keeps blinds looking presentable.
- Modern aesthetic. Clean horizontal lines create a neat, contemporary appearance. Works well in residential and commercial settings.
- Slats can be angled to obstruct outside views while still admitting daylight.



For details on colours for Internal Aluminium Venetian Blinds please refer to the [Custom Made Blind Reference Chart](#)

5. External Aluminium Venetian Blinds

5.1 60mm, 65mm, 80mm & 105mm External Aluminium Venetian Blinds

- External aluminium Venetian blinds are made from roll-formed aluminium, that is lightweight, strong and suitable for outdoor conditions.
- Made from thin, high-strength aluminium.
- Available in a range of standard sizes with C, CR & ZR blade profiles
- Can improve occupant comfort without darkening rooms completely.
- Slat tilting is controlled by a cable guide, Suitable for moderate wind conditions.
- Available in two distinct colours to complement façades.
- Components have all been colour matched to the slat.
- Provides protection from weather and a cleaner appearance.
- Multiple fascia/pelmet options available.
- Exclusively produced with motorised option, allowing for convenience and eliminates the need for accessible cords or chains.

5.2 Features and Benefits

- Excellent heat reduction. Can significantly reduce solar heat entering the home.
- Adjustable slats to provide varying degrees of privacy, block direct sunlight and reduce glare on TVs & Computer Screens – perfect for work from home setups to remove internal glare.
- Commonly used on contemporary homes and commercial buildings.
- Contemporary colours and finishes.
- Motorisation operated by remote control.
- Retractable systems - Can fully retract into a headbox when not in use.
- Lightweight construction reduces strain on lifting mechanisms. Generally easier and safer to operate.
- Aluminium components are corrosion resistant and designed for outdoor use.



5.3 Options & Parts

Guide Option

- **Cable Guide** – Stainless steel guide cables provide lateral stability while maintaining a minimal visual appearance.
- **Guide Profile** – Aluminium side guide profiles provide enhanced stability and wind resistance.

Pelmet

- Two Pelmet options available – L Profile or U Profile.
- You can also request for no pelmet

Safety Features

- Concealed operating components within the headbox. Eliminates the need for accessible cords or chains - Reduces potential entanglement hazards.
- Stable guidance provided by stainless steel cable guides or aluminium guide profiles.
- Cordless motorised operation to support child safety requirements.

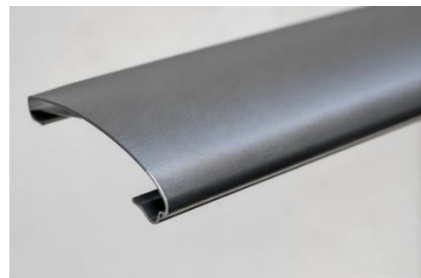
5.4 Blade Profiles

C – Available in 60mm and 80mm slat size.

CR - Available in 65mm & 80mm slat size.

ZR - Available in 105mm slat size.

CR pictured below



5.5 Selling Tips

- Improved energy efficiency - Helps reduce air-conditioning usage during summer.
- Ideal for Large west-facing windows.
- Perfect for Living rooms with excessive afternoon sun.
- Multi-channel and single channel remote are available.
- Slats can be angled to obstruct outside views.



For details on colours for Internal Aluminium Venetian Blinds please refer to the [Custom Made Blind Reference Chart](#)

6. Custom Made Cellular Blinds

6.1 Features and Benefits

Style

Cellular Blinds have a modern clean-line aesthetic, offering a fashionable look which will compliment most décor styles. Aesthetic highlights include:

- A wide range of colours and textures to choose from across various levels of light control, with three cell sizes and options for Single Cell, Double Cell and Cell-In-Cell options.
- Minimal stacking heights, looking neat and maximizing light into the room when stacked.
- Head Rail, Middle Rail (for TDBU and Day/Night) and Bottom Rails are powder coated to match, no fabric inserts are used.
- Default powder coated rails and cords are matched within a shade or two of blind fabric colour.
- Alternative rail colours may be specified when ordering.
- All wands and safety devices are transparent.
- Side Channels available for 25mm and 38mm Corded and Cordless Cellulares (Standard, TDBU and Day Night operation) in White/Snow White, Ivory/Classic White, Gray/Earl Gray and Black.
- Motorised Blind configuration options include Power Supply (Battery, Rechargeable Battery, Rechargeable USB-C and Hardwired) and Control Type (Wand and Remote).
- Cellular Blinds and Remotes conform to Child Safety Regulations.

Function

- Superior insulation, both for heat/cold (refer to following R value section), light and sound. Benefits of energy cost savings, environmental sustainability and multi-faceted comfort for the consumer.
- Four operating control choices, to suit different openings, lifestyle and budget.
- Flexible ventilation and privacy control, in particular the Top Down Bottom Up option.
- Translucent (Semi Opaque) or Block-out (Opaque) options.
- Block-out fabrics are light blocking. Gaps between reveal and blind are small allowing only minimal light leakage, therefore these blinds are considered to be Room Darkening.
- Side Channels available for recessed openings to prevent light leakage.
- Accommodate both small and large openings. Sizes vary according to control option and cell size.
- 100% Polyester is easy to clean.

For details on textures and colours for Cellular Blinds please refer to the [Custom Made Blind Reference Chart](#)

6.2 Sustainability and R Value

Increasingly, informed consumers are shopping for window furnishings that deliver energy savings in addition to aesthetics and functionality. Energy is saved when temperature transfer is minimised, be it hot or cold, between the outside and inside of buildings.

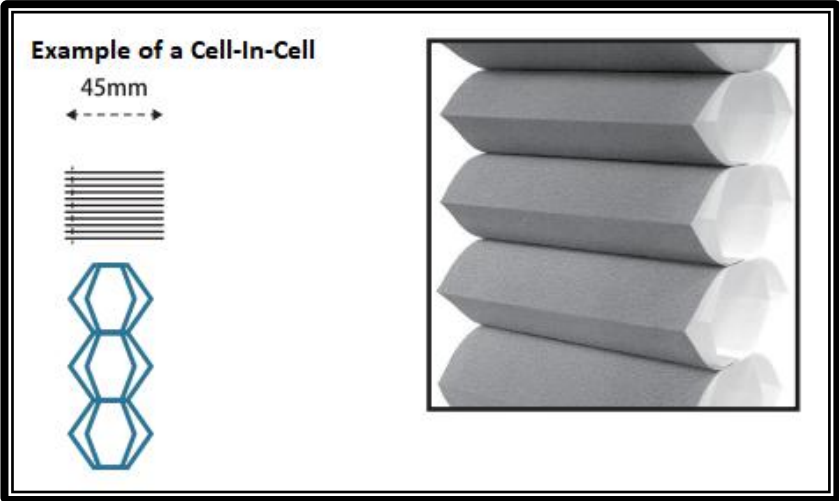
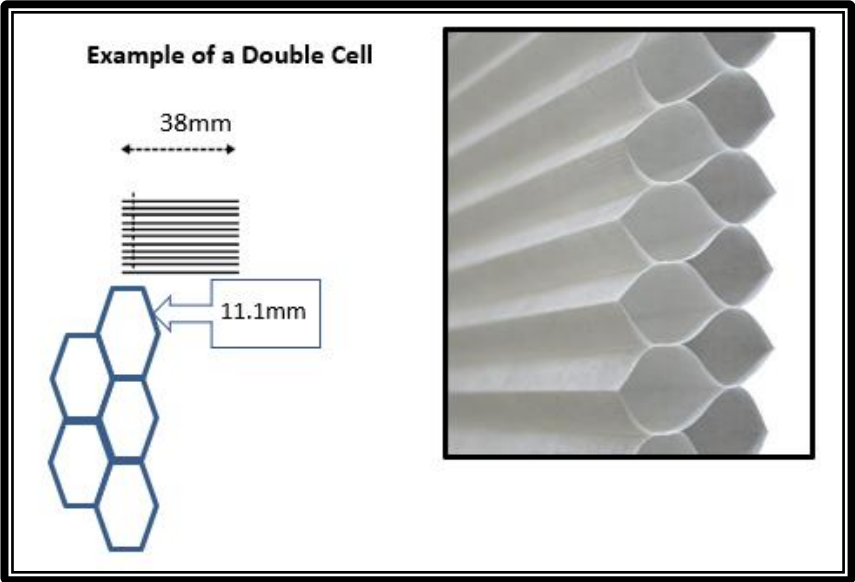
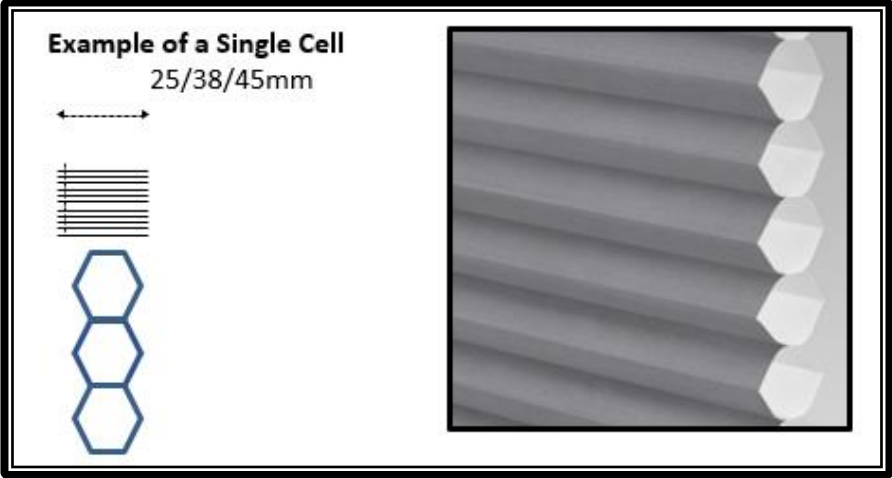
R and its metric version RSI value, describe how effective a material is at resisting heat flow by conduction. The higher the R Value, the slower the rate of heat/cold transfer through the material, therefore the better the insulation property, and the higher the energy saving. Glass for example, has a low R-Value.

It is widely accepted and proven that well fitted Cellular blinds are very effective at reducing heat/cold transfer; this is because air pockets are very efficient insulators. Performance varies depending on the size of the cell, and the number of layers that can create pockets of air.

Please see R values of OPC Cellular blinds in the following chart:

CELL SIZE	FABRIC	RSI Value (m2K)/W	R Value (ft2·°F·hr)/Btu
38	Single Cell Translucent	0.82	4.64
38	Single Cell Blockout	1.16	6.57
38	Double Cell Translucent	0.87	4.92
38	Double Cell Blockout	1.19	6.75
25	Single Cell Translucent	0.55	3.10
25	Single Cell Blockout	0.77	4.36
45	Single Cell Translucent	0.5	2.84
45	Single Cell Blockout	0.43	2.46
45	Cell-In-Cell Translucent	0.59	3.36
45	Cell-In-Cell Blockout	0.5	2.84

6.3 Cell Configuration



25mm Cellular Blinds

- Have small unobtrusive head rails, requiring only 37mm clear reveal space for recess fit (including the bracket).
- Available in Single Cell only.
- Available in Block-out and Translucent, in a wide range of colours and textures.
- Side Channels available in Corded and Cordless (Standard, TDBU and Day Night operation) to help reduce light (only available in White/Snow White, Ivory/Classic White, Gray/Earl Gray and Black).
- Please see section 4.7 below for Top Rail depth and bracket allowances, which vary depending on operation.

38mm and 45mm Cellular Blinds

- Have unobtrusive head rails, requiring 55mm clear reveal space for 38mm recess fit and requiring 64mm clear reveal space for 45mm recess fit (including the bracket).
- Available in 38mm and 45mm Single Cell, 38mm Double Cell and 45mm Cell-In-Cell
- Available in both Block-out and Translucent Fabrics, in a wide range of colours and textures.
- Side Channels available in 38mm Corded and Cordless (Standard, TDBU and Day Night operation) to help reduce light (only available in White/Snow White, Ivory/Classic White, Gray/Earl Gray and Black).
- Please see section 4.6 below for Top Rail depth and bracket allowances, which vary depending on operation.
- The Rechargeable USB-C Operated Motor is only available for 45mm Single and Cell-In-Cell Cellulars.
- 38mm Single Cellular fabric can be selected for Rechargeable USB-C Operated Motor, however the head rail will remain the 45mm size and the bottom rail will suit the 38mm size.

For details on textures and colours please refer to the [Custom Made Blind Reference Chart](#)

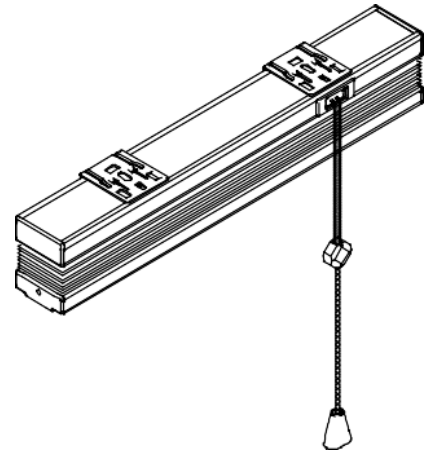
6.4 Control Options

Cellular Blinds have a range of options to suit operation requirements:

- Corded Control
- Clutch Control
- Cordless
- Motorised – Battery Operated with either Wand Control or Remote Control (batteries not included)
- Motorised – Rechargeable Battery-Operated Motor with either Wand Control or Remote Control
- Motorised – Rechargeable USB-C Operated Motor with Wand and Remote Control (1.5m USB-C to USB-C charger is supplied)
- Motorised – Powered Operated Motor with Power Adapter (Hardwired Motor) with either Wand Control or Remote Control
- Skylight – Cordless
- Skylight - Motorised

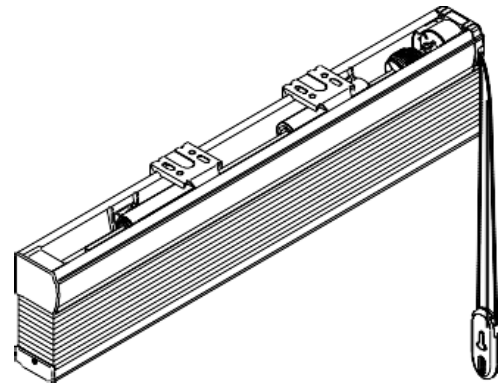
■ Standard Cord Control

- Cord lock system that raises or lowers the bottom rail
- Cord Installation must meet child safety rules
- Supplied child safety devices are transparent
- No surcharges on standard blind
- Top Down Bottom Up and Day/Night Available
- Side Channels available for 25mm and 38mm Cellulars



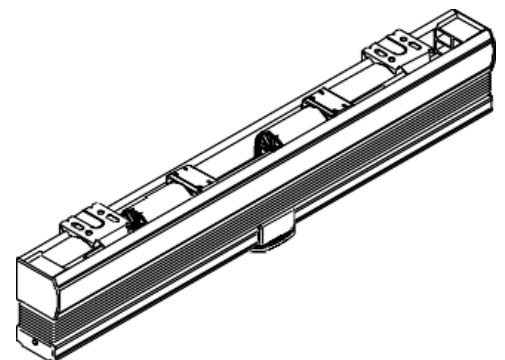
■ Clutch Control

- Continuous looping cord
 - Pull down the front of the cord to raise the blind.
 - Pull down the back of the cord to lower the blind
- Cord Installation must meet child safety rules
- Supplied child safety devices are transparent
- Clutch cord will be supplied as Cotton/White, unless specified otherwise
- Surcharge applies
- Top Down Bottom Up and Day/Night Available with 2 cords



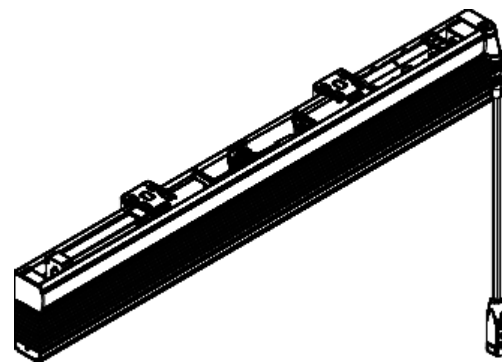
■ Cordless Control

- The ultimate child safe solution with no visible cords
- Use the blind handle (optional on the bottom rail to raise or lower)
- The blind will stay in the desired position
- Surcharge applies
- 25mm, 38mm and 38mm Double Cell maximum width 2400mm
- Maximum drop 2100mm
- Top Down Bottom Up and Day/Night Available
- Side Channels available for 25mm and 38mm Cellulars



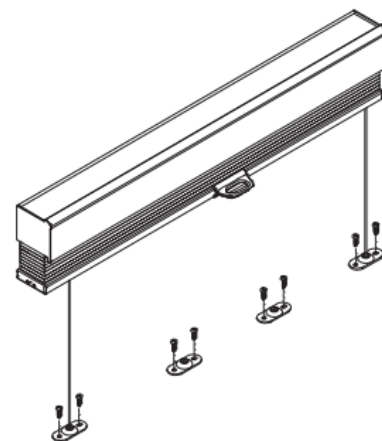
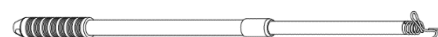
■ Motorised – Wand/Remote Control

- Available in either battery, rechargeable battery, rechargeable USB-C, and power adaptor solutions (*For Battery Operated Blinds, the 8 x AA Batteries are not included*)
- Raise or lower the blind with a touch of a button on the wand or remote control
- Surcharge applies
- Remote has 15 channels
- 2m or 3m wired extension cables for Hardwired are available on Request



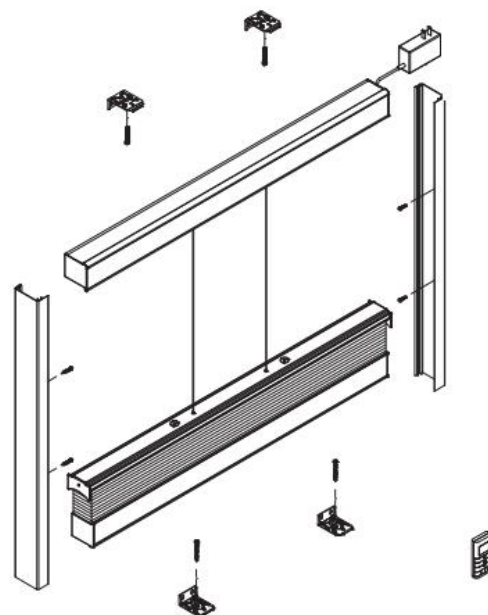
■ Skylight - Cordless

- A great solution for Skylight windows
- The ultimate child safe solution with no visible cords
- Use the blind handle on the bottom rail to open/close blind and the blind will stay in the desired position
- Available in 38mm Single cell only
- Surcharge applies
- Supplied with wire guides running through the fabric
- Supplied with magnets on the bottom rail for a secure close
- Must have fixing points for the headrail and bottom rail, therefore can only be installed as a recess fit application
- An Extendable Pull Stick is available to order, upon request
Extendable pull stick size from 914.4mm - 1676.4mm



■ Skylight – Motorised

- The ultimate solution for hard-to-reach Skylight windows
- Open or Close the blind with a touch of a button on a remote control
- Must be supplied with side channels to hold rails and fabric
- Side channels supplied in white only
- Motor operated by a power adapter – constant power needed
- Available in 38mm Single cell only
- Surcharge applies
- Remote has 15 channels
- Standard operation only
- Must have fixing points on all 4 sides of blind



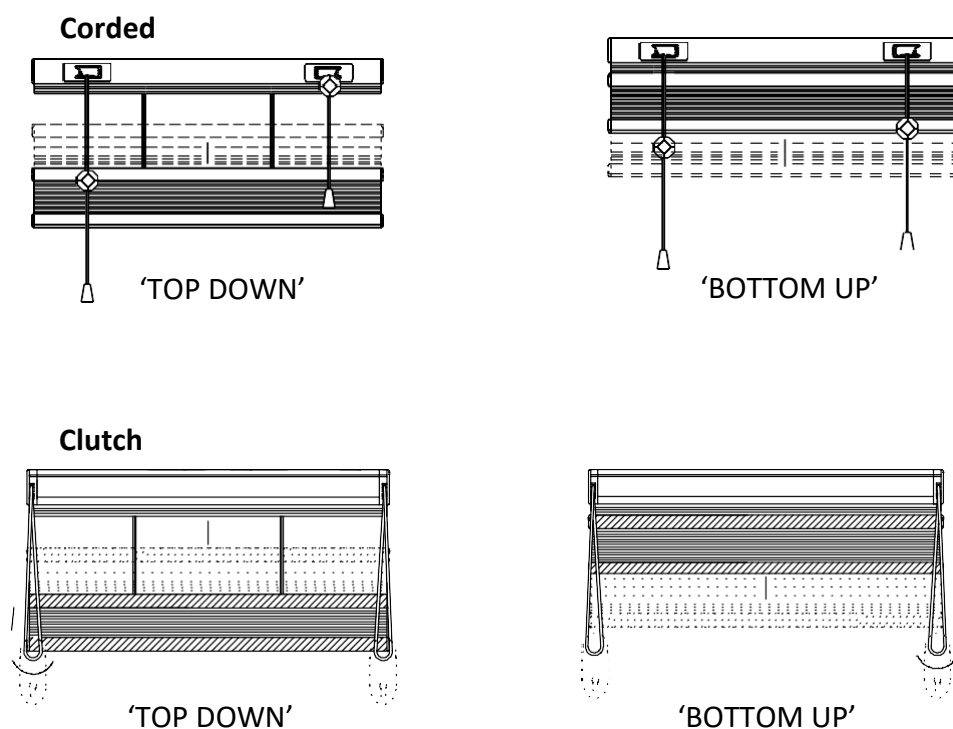
6.5 Configuration Options

In addition to Standard Cellular Blinds, there are several configuration options that offer greater functionality:

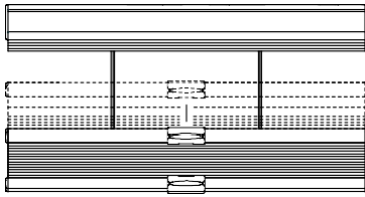
A. Top Down Bottom Up

- Allows the blind to be raised from the bottom and/or lowered from the top, providing superior privacy and light control.
- Available in Corded, Clutch, Motorised and Cordless control systems.
- Side Channels available for 25mm and 38mm Cellulars in Corded or Cordless control.
- A middle rail (same rail as a bottom rail) is fitted immediately below Headrail to facilitate the Top Down option
- **Corded** operates with cord locks on both the left and right sides of the Headrail, with an option on the order form to choose which side will operate the middle (Top Down) and bottom rails (Bottom Up) respectively. On the order form:
 - Top Left, Bottom Right means the Left cord controls the middle rail (Top Down)
 - Top Right, Bottom Left means the Right cord controls the middle rail (Top Down)
- **Clutch** operates with one cord on both the left and right sides of the blind
- Order form codes are:
 - LR means cord controlling middle rail (Top Down) is on the left
 - RL means cord controlling middle rail (Top Down) is on the right

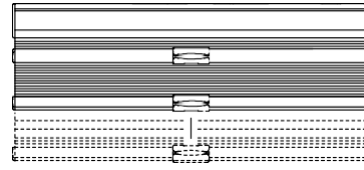
For Size details please refer to the [Custom Made Blind Reference Chart](#).



Cordless



'TOP DOWN'



'BOTTOM UP'

B. Day/Night

Two blinds (usually a Translucent and Block-out) are fitted one above the other on the same headrail, with a middle rail (same rail as a bottom rail) between these blinds.

'DAY' – allows the Translucent blind to show.

'NIGHT' – allows the Blockout blind to show.

- Either blind, or a combination of these blinds can be selected to cover the window at any given time. This gives total flexibility, control and functionality
- Day Blind can be ordered to be positioned on the top, or the bottom; vice versa for the Night Blind.
- Available in Corded, Cordless, Motorised and Clutch control systems.
- Side Channels available for 25mm and 38mm Cellulars in Corded or Cordless control.
- Charged as two blinds (selecting the correct fabric type price grid) with an additional surcharge.

Corded operates with a cord lock on both left and right sides of the headrail, with an option on order forms to choose which side will operate the Day and Night Blinds respectively:

Top Left, Bottom Right means the Left cord controls the middle rail (exposing top blind), the Right cord controls the bottom rail (exposing bottom blind).

Top Right, Bottom Left means the Right cord controls the middle rail (top blind), the Left cord controls the bottom rail (bottom blind).

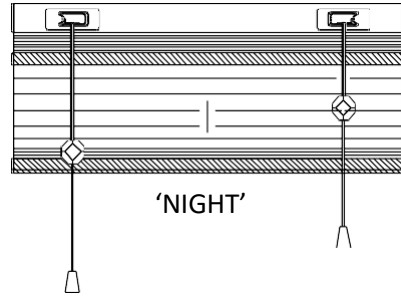
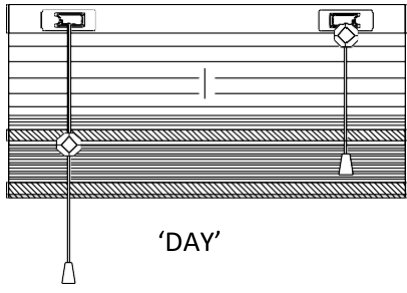
Clutch operates with one cord on both the left and right sides, or one single cord on one side.

Order form codes are:

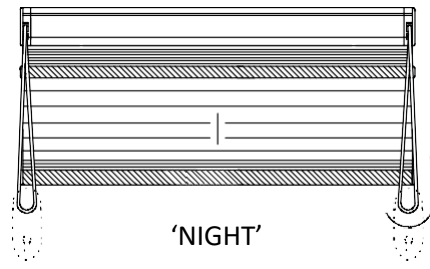
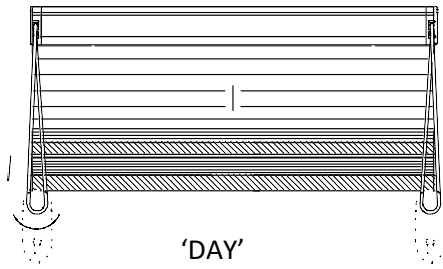
- LR means cord operating the higher positioned of the two blinds is on the left
- RL means cord operating the higher positioned of the two blinds is on the right
- L is one control cord on the left, operating all rails on the one single cord
- R is one control cord on the right, operating all rails on the one single cord

For Size details please refer to the [Custom Made Blind Reference Chart](#).

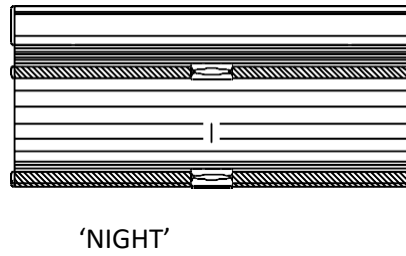
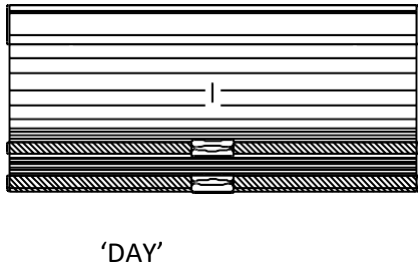
Corded



Clutch



Cordless



C. Side Channels

For Corded and Cordless Cellulars (Standard, TDBU and Day Night operation), side channels are available for recess fit openings to help reduce light. Currently, the following colour options are available:

- White/Snow White
- Ivory/Classic White
- Gray/Earl Gray
- Black

The following deductions will be taken when ordering a Cellular with side channels:

	Headbox	Fabric	Bottom Rail
25mm Corded	-8mm	-8mm	-8mm
25mm Cordless	-8mm	-8mm	-8mm
38mm Corded	-3mm	-15mm	-15mm
38mm Cordless	-3mm	-15mm	-15mm

The factory will take standard deductions when side channels are ordered, Recess NAM must be selected on the order form.

All channels are supplied in 3m lengths which need to be cut-down by the installer, pre-cut channels are not available. The minimum pack size is 4 lengths.

A bottom channel can be requested on the order form, however when Cordless operation type is selected then the bottom handle must be removed to fit correctly.

To reduce light most effectively, pair the side channels with Blockout fabrics in darker shades.

Please note: These side channels are not suitable for skylight operation.



Side channels are not currently available in New Zealand

6.6 Motorised Options

Motorised Blind upper and lower limits are pre-set in the factory and step by step programming instructions are provided to reset or to set favourite positions. There are several Motorised Blind options to consider, including:

Power Supply

- Battery Operated Motor with Wand or Remote. Battery Operated Blinds use 8 x AA Batteries per Blind (batteries not included). These are not recommended for frequent use as the batteries may require regular changing. The batteries will need replacing according to the frequency of use and are not rechargeable. Motorised Battery options are not recommended for high window area's (due to the requirements to change batteries).
- Lithium Rechargeable Battery Operated Motor With Power Adapter with Wand or Remote. These use a 240V Mains Plug and will require a power point/socket close to the Blind when recharging the battery.
- Rechargeable USB-C Operated Motor with Wand and Remote. These use a USB-C cable that is plugged into the bottom of the Wand to be charged. A 1.5m USB-C to USB-C charging cable is supplied, however the plug for the socket will not be provided.
- Powered Operated Motor with Power Adapter (Hardwired Motor) with Wand or Remote. These use a 240V Mains Plug and will require a power point/socket close to the Blind. The Blinds will need a continuous power source to operate.

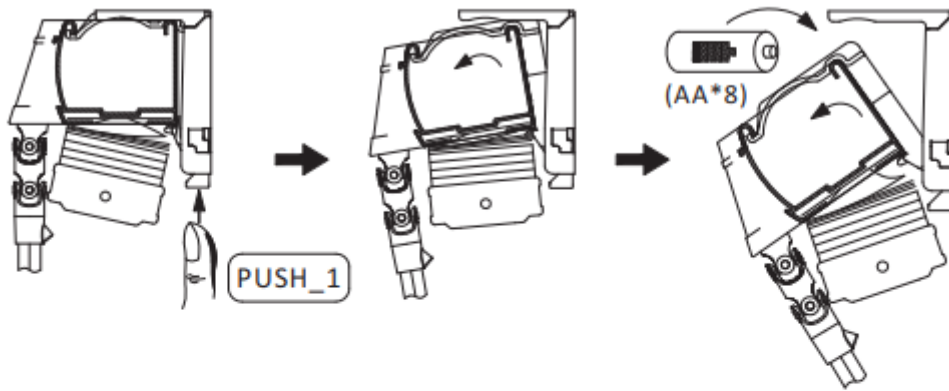
Control Type

- Wand
- Remote Control
- Wand and Remote Control combination for USB-C Operated Motor

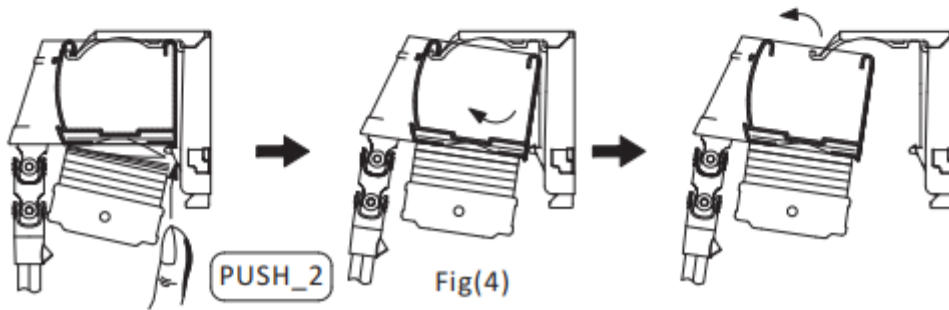
Configuration

- Standard
- Top Down Bottom Up (only available as hardwired motor)
- Day Night (only available as hardwired motor)

Procedure to Replace Batteries



OR

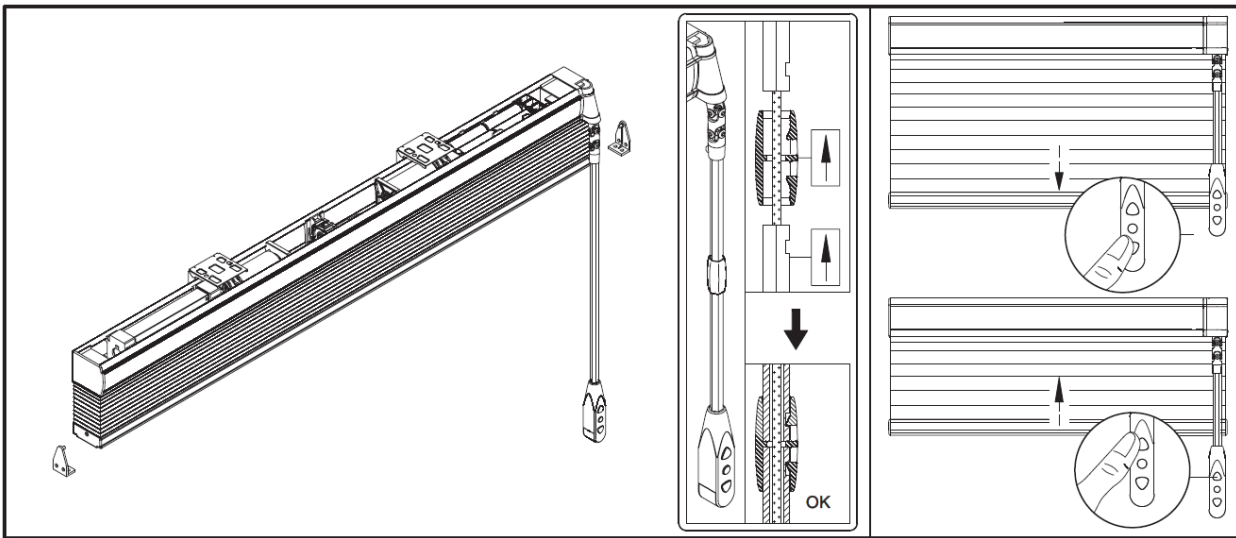


A. Wand

Wands are translucent rods that make the blind's operating switch accessible for the user. Wands are positioned on the left or right of the blind, as ordered. Wands are attached to the headrail and drop between 380mm and 1640mm from the top of the headrail. They have the advantage over a remote control in that they use less energy and are always with the blind.

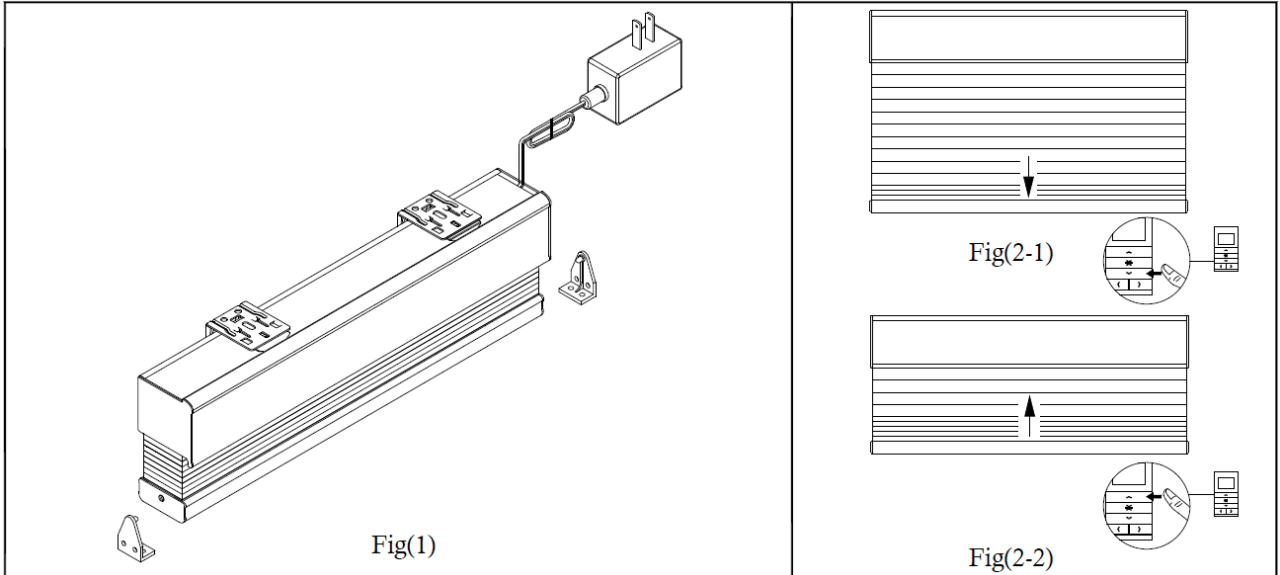
When the order form does not specify the wand length, the standard wand length will be:

Blind Drop	Wand Length
Drop Less than 2400mm	890mm
Drop More than 2400mm	1640mm



B. Remote Control

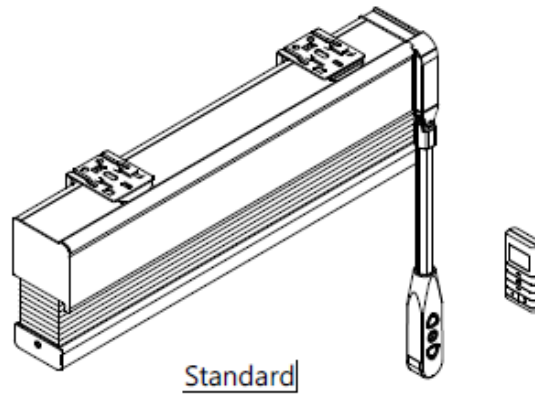
Remote Control operation is most commonly used in everyday applications. Users are able to program up to 15 blinds on the same Remote and set a favourite position which allows for seamless operation.



C. USB-C: Wand and Remote Control Combination

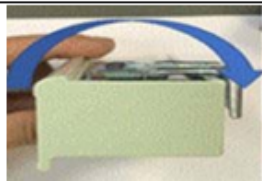
The combined Wand and Remote Control option is only available in the Rechargeable USB-C Operated Motor and provides the convenience of the Remote with the energy efficiency of the Wand. The USB-C charging port is located on the bottom of the Wand which is easy to reach with the 1.5m USB-C to USB-C charging cable that is supplied with the blind.

Please note: The plug for the socket is not provided.



6.7 Reveal Depth Required (Face Fit Projection)

The following measurements include the L shaped bracket shown in the photographs below.

25mm Cell	Headrail & Bracket	Photo
Corded Standard	37mm	
Corded Top Down Bottom Up	37mm	
Corded Day/Night	37mm	
Clutch	55mm	
Clutch Top Down Bottom Up	55mm	
Clutch Day/Night	55mm	
Cordless	55mm	
Cordless Top Down Bottom Up	55mm	
Motorised Standard	55mm	
Motorised Top Down Bottom Up	55mm	
Motorised Day/Night	55mm	
38mm Cell	Headrail & Bracket	Photo
Corded Standard	55mm	
Corded Top Down Bottom Up	55mm	
Corded Day/Night	55mm	
Clutch	55mm	
Clutch Top Down Bottom Up	55mm	
Clutch Day/Night	55mm	
Cordless	55mm	
Cordless Top Down Bottom Up	55mm	
Motorised Standard	55mm	
Motorised Top Down Bottom Up	55mm	
Motorised Day/Night	55mm	
45mm Cell	Headrail & Bracket	Photo
Corded Standard	64mm	
Corded Top Down Bottom Up	64mm	
Corded Day/Night	64mm	
Clutch	64mm	
Clutch Top Down Bottom Up	64mm	
Clutch Day/Night	64mm	
Cordless	64mm	
Cordless Top Down Bottom Up	64mm	
Motorised Standard	64mm	
Motorised Top Down Bottom Up	64mm	
Motorised Day/Night	64mm	

The following measurements are rail and Headbox sizes, excluding the mounting bracket:

Blind Operation Type & Rail Sizes	25mm	38mm	45mm
	W x H	W x H	W x H
Head Rail – Corded Standard, Corded Day & Night, Corded Top Down Bottom Up	2.70cm x 1.70cm	4.72cm x 2.95cm	5.40cm x 2.95cm
Head Rail - Cordless, Cordless Top Down Bottom Up, Cordless Day & Night	4.75cm x 4.35cm	4.75cm x 4.35cm	5.40cm x 4.35cm
Head Rail - Clutch, Clutch Top Down Bottom Up, Clutch Day & Night, Motorised	4.75cm x 4.35cm	4.75cm x 4.35cm	5.40cm x 4.35cm
Middle Rail - Day & Night, Top Down Bottom Up for Corded, Clutch, Cordless, Motorised	2.70cm x 1.10cm	4.13cm x 1.10cm	4.72cm x 1.10cm
Bottom Rail - All options (except Skylight)	2.70cm x 1.20cm	4.02cm x 1.60cm	4.72cm x 1.60cm
Head Rail - Cordless Skylight, Wireless Remote Skylight		4.75cm x 4.35cm	
Middle Rail - Wireless Remote Skylight		4.13cm x 1.60cm	
Bottom Rail - Cordless Skylight		4.13cm x 1.10cm	
Bottom Rail - Wireless Remote Skylight		4.75cm x 4.35cm	

6.8 Cellular Blinds Stack Heights

Stack heights are relatively small across the Cellular range and are therefore generally unobstructive when installed in an opening. These heights will vary between cell size, fabric type and operation. Below are the approximate stack heights for various Cellular blind drops including the bottom rail, fabric and head rail and are based on a 38mm Blockout Cellular with Corded operation:

Blind Drop	Stack Height
500mm	47mm
1000mm	66mm
1500mm	73mm
2000mm	82mm
2500mm	87mm
3000mm	95mm

6.9 Cellular Blinds Cord Length (For Standard Corded Blinds)

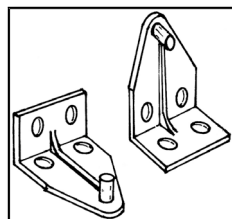
Below are the standard cord lengths for each Cellular blind drop. Longer or shorter cords may be supplied on request.

Blind Drop	Chain Length
Up to 849mm	425mm
850 – 1199mm	425mm ~ 600mm
1200 – 1499mm	600mm ~ 750mm
1500 – 1799mm	750mm ~ 900mm
1800 – 2299mm	900mm ~ 1150mm
Over 2300mm	Half of the Blind Drop

6.10 Hold Down Clips

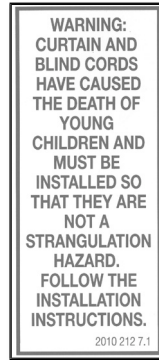
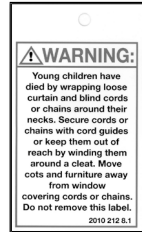
Hold-down clips made from reinforced polycarbonate plastic and are optional at no extra cost. They will help prevent the blinds from swinging due to motion. Hold-down clips are available for Face Fit blinds only.

Cellular Blinds are not designed to be in use directly in front of open windows with a breeze coming in. Hold-down clips are an ideal option for fixed openings or for TDBU Cellular blinds that are mounted on doors and windows which can be opened allowing a breeze in the area that is free of fabric.



6.11 Safety Features

- Corded Cellular blinds are supplied with clear polycarbonate cord cleats to tie off the cord when the blinds are raised
- Clutch Cellular Blinds are supplied with a cord guide which secures the cord
- Warning labels are attached to the blinds to alert consumers to the possible risks in the blind operation - this complies with Child Safety Regulations



6.12 Selling Tips

- Cellular Blinds are subtle and attractive, available in a range of colours and textures to match any décor.
- Cellular Blinds are extremely efficient insulators, they have been proven to help control temperature, light and sound much more effectively than other blinds and curtains.
- Cellular Blinds are slim and unobtrusive when stacked.
- Cellular Blinds can be fitted into both small and large spaces - minimum clear reveal depth to accommodate the bottom rail is 27mm.
- They wipe clean, are colour-fast and hold their shape.
- Top Down Bottom Up Cellular blinds offer flexibility of privacy at the bottom and ventilation at the top.
- The rear of all Cellular blinds are white.
- Always check that there is a position where cords can be tied off for Child Safety.

6.13 Custom Made Transition Shades

- Transition Shades allow the control of sunlight and privacy without having to raise the blind.
- Transition Shades offer three different ranges:
 - Multi Shade Transition Shade Range
 - Triple Shade Transition Range
 - Roma Shade Range
- The Transition range offers a variety of fabric types.
- The fabrics are available in a variety of finishes and offer an extensive range of colours.
- The headbox, chain control, bottom rail and chain are available in a variety of colours to suit any decor.
- Stainless steel chain options are available.
- Fabric inserts are an option for the headbox, allowing the matching fabric to be inserted as a feature.

The Transition Shade range consists of a comprehensive range of fabrics. For details on all the fabric types, colours and options please refer to the [Custom Made Blind Reference Chart](#).

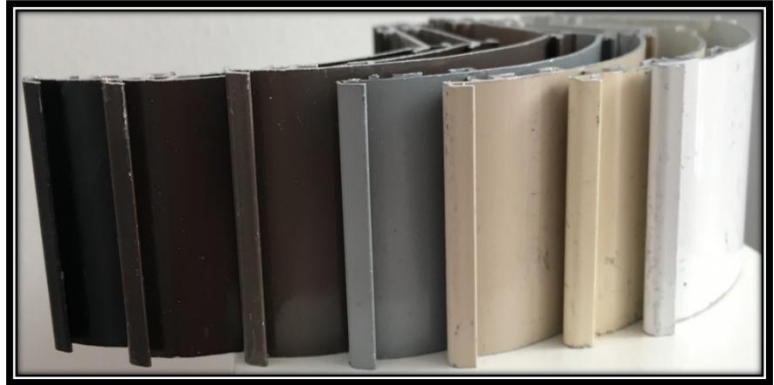


7. Transition Shades

Options & Parts

Headbox

- The headbox is available in:
 1. Black
 2. Dark Brown
 3. Light Brown
 4. Grey
 5. Beige
 6. Ivory
 7. White



- The headbox is available with a fabric insert, which allows the matching fabric to be inserted as a feature. This is recommended.

Chain Controls

- Chain Controls are available in White, Ivory, Beige, Grey, Light Brown, Dark Brown or Black.

Chain

- Chain colour will be matched to the headbox colour unless Stainless Steel is selected.
- Chain is available in White, Ivory, Beige, Grey, Light Brown, Dark Brown, Black or Stainless Steel.

Recess Bracket (for Headbox)



Topside of Bracket



Underside of Bracket



Face Fit Bracket

Bottom Rail

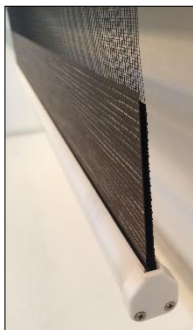
- When Jacquard Weave Shades are ordered, the bottom rail will be supplied as the Square profile with fabric insert. The bottom rail and end caps will be supplied in black or white only. The fabric will be inserted as a feature.



- When Triple Shade Semi Blockout, Triple Shade Privacy Standard and Triple Shade Jacquard Weave are ordered, the bottom rail will be supplied as the Shuttle Oval profile. The bottom rail and end caps will be supplied to match the headbox (either in White, Ivory, Beige, Grey, Light Brown, Dark Brown or Black).



- For all other fabric types, the bottom rail will be supplied as the Trapezium profile. The bottom rail and end caps will be supplied to match the headbox (either in White, Ivory, Beige, Grey, Light Brown, Dark Brown or Black). Note the white bottom rail in the photographs below is not the default for this fabric colour.



Blind Dimensions

For minimum and maximum widths and heights please refer to the [Custom Made Blind Reference Chart](#).

Maximum width and height is dependent on the fabric and style type chosen.

7.1 Motorised Multi Shades and Triple Shades

Transitions are motorised using an energy saving, patented, low power tubular motor, powered by a rechargeable lithium battery. The battery will last 4-6 months between charges, assuming the motor is operated for 1 minute per day. Recharging takes 4 hours to fully charge the battery. The blind is operated by a 5 Channel remote, therefore 5 blinds can be operated by one remote. Limits are pre-programmed, therefore further programming is usually not required. If preferred, in addition to fully up and fully down, 4 additional positions can be pre-programmed for ease of use. For this reason, clear, diagrammatic programming instructions are provided with each delivered blind.

Motorisation is available with a 1 channel remote, or 2, 5 and 15 channels by special request.



A small screw driver is required to open the battery compartment on the remote, to prevent a child from accessing the button battery.

Remotes are supplied in White as default

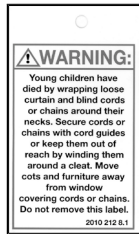
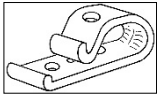


Black remotes available by special request

7.2 Safety Features

All Transition Shades are supplied with clear cord hold down clips so the chain will be secure when the Shades are raised.

Warning labels are also attached to the Shades to alert consumers to the possible risks in the Shade's operation. This complies with Child Safety Regulations.



7.3 Chain Length

Below are the standard chain lengths for each blind drop.

Please note: if required, a specific chain length can be specified when ordering.

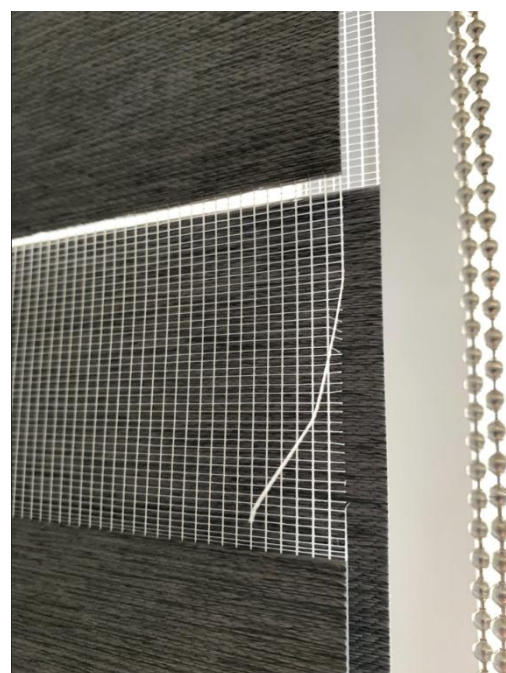
Blind Drop	Chain Length
Up to 849mm	500mm
850 – 1199mm	750mm
1200 – 1499mm	1000mm
1500 – 1799mm	1200mm
1800 – 2299mm	1500mm
Over 2300mm	2000mm

7.4 Selling Tips Multi Shade Transition Range

Multi Shades are similar to a Roller Blind but with significant added benefits.

- Each layer of the double layer of fabric with alternate sheer and solid stripes is adjusted relative to the other layer, to give fingertip control over light and privacy.
- The blind can be ordered standard or reverse roll
- The pelmet-like Headbox with fabric insert is elegant and stylish
- Order “Side by Side” if more than one blind is ordered for the same room, or if more than one blind will be seen together from the outside. To match the stripes, side by side blinds must be the same drop.
- Fabric is dust, mould and moisture resistant polyester, with 6-8 Colour Fastness Ratings.
- The gaps between the reveal and blind are minimal to reduce light gaps.
- Multi Shades are not block-out blinds. The format of these blinds can allow daylight to filter between the layers of fabric and some light to filter on the edges.
- Occasionally single stray threads may become apparent in transit. These may be safely trimmed by the installer using sharp scissors.
- Our Multi Shade ranges include;

- 6.4.1 Multi Shade Privacy Standard
- 6.4.2 Multi Shade Privacy Woven
- 6.4.3 Multi Shade Semi Blockout Grain
- 6.4.4 Multi Shade Semi Blockout Textured
- 6.4.5 Multi Shade Privacy Textured
- 6.4.6 Multi Shade Privacy Luxe
- 6.4.7 Multi Shade Privacy Grain
- 6.4.8 Multi Shade Privacy Textured Grain
- 6.4.9 Multi Shade Privacy Large
- 6.4.10 Multi Shade Privacy Natural
- 6.4.11 Multi Shade Jacquard Weave
- 6.4.12 Multi Shade Premium Blockout
- 6.4.13 Multi Shade Premium Blockout Woven
- 6.4.14 Multi Shade Premium Room Darkening
- 6.4.15 Multi Shade Premium Woven Room Darkening
- 6.4.16 Multi Shade Textured
- 6.4.17 Multi Shade Eco Friendly



For fabric colours, types, options and specifications please refer to the [Custom Made Blind Reference Chart](#).

7.5 Selling Tips Triple Shade Transition Range

- Triple Shade is a three-dimensional window furnishing which combines some of the best features of Roller Blinds and Venetian Blinds to control privacy and light.
- Triple Shade offers both form and function, suiting most décor styles due to the romantic sheer softening straight horizontal lines.
- The horizontal heavier fabric slats tilt inside sheer fabric on the front and back.
- The blind rolls up and down in the closed position.
- The tilt is controlled when the blind is fully down in the opening, using the same chain as the raise and lower functions.
- The headbox is a small elegant curve shape with fabric inserts.
- Triple Shade is available in a range of colour ways, with toning Head Box, Chain and Bottom Rail. Stainless Steel Chain is available.
- Triple Shade Fabric is dust, mould and moisture resistant polyester with 6-8 Colour Fastness Ratings.
- The gaps between the reveal and blind are minimal to reduce light gaps.
- Triple Shade blinds are not block-out due to semi-opaque fabric and format of the blind.
- Our Triple Shade ranges include;
 - Triple Shade standard
 - Triple Shade Semi Blockout
 - Triple Shade Privacy Standard
 - Triple Shade Jacquard Weave



For fabric colours, types, options and specifications please refer to the [Custom Made Blind Reference Chart](#).

8. Custom Made Roma Shades

Available in four distinct fabric ranges to suit any home's aesthetic, Roma Shades provide a polished finish to any room while maintaining excellent light control and privacy.

8.1 Options & Parts

Standard operation on a Roma Shade is a chain control which is matched as closely as possible to the fabric colour chosen.

Chains are available in White, Beige, Light Coffee, Khaki, Grey, Dark Coffee, Black and Stainless Steel (surcharges apply).

Below are the standard chain lengths for each blind drop however, a specific chain length can be specified when ordering.

Blind Drop	Chain Length
Up to 849mm	500mm
850 – 1199mm	750mm
1200 – 1499mm	1000mm
1500 – 1799mm	1200mm
1800 – 2299mm	1500mm
Over 2300mm	2000mm

Please Note: The head rail and accessories of a Roma Shade are available in white only.

Brackets

Only one type of bracket is available for Roma Shades regardless of Recess or Face Fit installation. The same bracket is used for motorised Roma Shades.



Construction

The fabric of a Roma Shade is composed of 100% Polyester allowing for a soft, luxurious feel. The pockets of fabric are split by a fibreglass baton with a 280mm spacing between each pocket. The batons are equipped with easily adjustable clips on the back of the blind to help fine-tune the fabric when necessary.

Roma Shades are fitted with a head and bottom rail composed of an aluminium alloy that suits the contemporary aesthetic of the blind. As the rails are only available in white, the fabric covers the metal to provide a seamless look.

8.2 Motorised Roma Shades

Roma Shades are available in a motorised operation for an easy and efficient way to control the light in your home.

Motorised Roma Shades are available with 1-channel, 2-channel, 5-channel and 15-channel remotes to suit your customer's needs. All remotes are only available in white.



8.3 Safety Features

All Roma Shades are provided with clear hold down clips to secure the chain during installation, this is in line with Child Safety Regulations.

Please note that in accordance with safety legislation, the installation of these products must adhere to the following procedures to avoid creating a possible strangulation hazard for children:

- Check there are no loose cords that a child can reach from the floor, cot, bed or by climbing furniture
- Tie any cords out of reach
- Move any furniture that a child can use to climb on to access operational cords
- Do not remove any child safety locks, or warning tags as per the below image



9. Custom Made ClimaCell Blinds

ClimaCell Blinds offer a luxurious finish while maintaining efficient climate and privacy control. These blinds, with pockets of fabric to assist with insulation are the perfect addition to any home and are available in a wide range of colours and options depending on your light control needs.

9.1 Options and Parts

Our ClimaCell product is available in a number of ranges and colours offering the perfect addition to any room or space. A full range of colours can be found in the reference chart at the bottom of the manual.

ClimaCell comes standard with a white fixing rail which can easily be installed on either the face of the opening or inside the recess.

When measuring a recess opening with no allowances made (NAM) the factory will automatically take a deduction of 5mm.

The white fixing rail comes with a light diffuser strip at the back of the rail to minimise light seepage.

Additionally, you can add a cassette which offers further control of light and can be attached to the fixing rail for a seamless finish (surcharges apply). A fluffy strip for the fixing rail will be provided when a cassette is requested to further reduce light seepage.

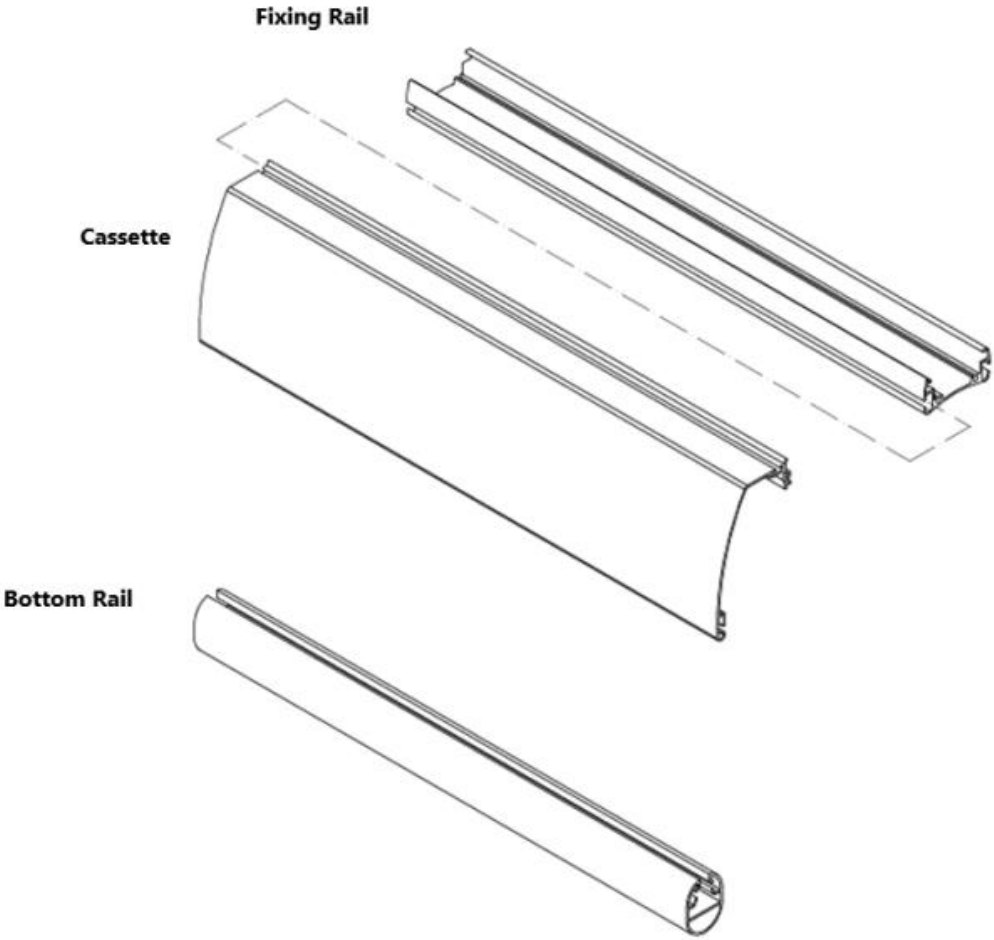
When the cassette option is selected, it will be matched as closely as possible to the fabric of the blind.



Light Diffuser Strip
Fixing Rail Only



Fluffy Strip
Included with Cassette



ClimaCell blinds can be chain controlled, cordless or motorised which all have their own benefits to suit the lifestyle of your customers.

Chain Control

Chains are available in Nickel Plated Brass, White, Grey, Black and White Birch. The chain will match as closely as possible to the fabric colour.

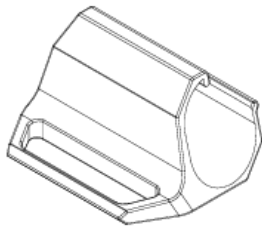
Below are the standard chain lengths for each blind drop.

Please note: if required, a specific chain length can be specified when ordering.

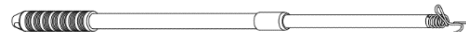
Blind Drop	Chain Length
Up to 849mm	500mm
850 – 1199mm	750mm
1200 – 1499mm	1000mm
1500 – 1799mm	1200mm
1800 – 2299mm	1500mm
Over 2300mm	2000mm

Cordless

Cordless option will be supplied with a bottom rail handle for easy control over the blind. In addition, you can also select a telescopic pole (surcharges apply) which provides control over hard-to-reach openings.



Bottom Rail Handle



Telescopic Pole

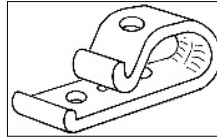
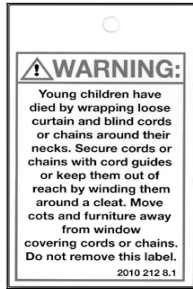
Motorised

A rechargeable motor that can be controlled easily from your phone, although remotes are available if preferred (surcharges apply). The blind can be recharged using a USB-C cable (not included with blind) and the motor side can be chosen to help suit existing power outlets.

9.2. Safety Features

Chain Controlled blinds are supplied with clear polycarbonate cord cleats to tie off the cord when the blinds are raised.

Warning labels are attached to the blinds to alert consumers to the possible risks in the blind operation. This complies with Child Safety Regulations.



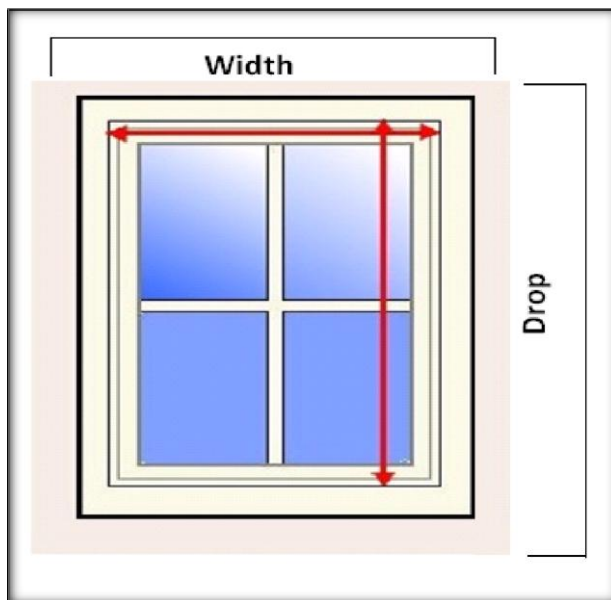
10. Measuring

Please note; when blinds are ordered near the maximum size specifications, the weight can affect the operation of the blind.

Recess Fit

Recess Fit

- ✓ The blind is to be installed in the recess or reveal of the opening.
- ✓ When measuring in a recess it is important to measure both the width and the drop at three points (*please see below*). The reason for taking three measurements in each direction is to allow for any problem that may occur if the window is out of square. The **smallest measurement is the one that is required**.



Width Measurements

Measurements taken at the top, centre and bottom of the opening and the **smallest of these three measurements will be the width measurement**.

Drop Measurements

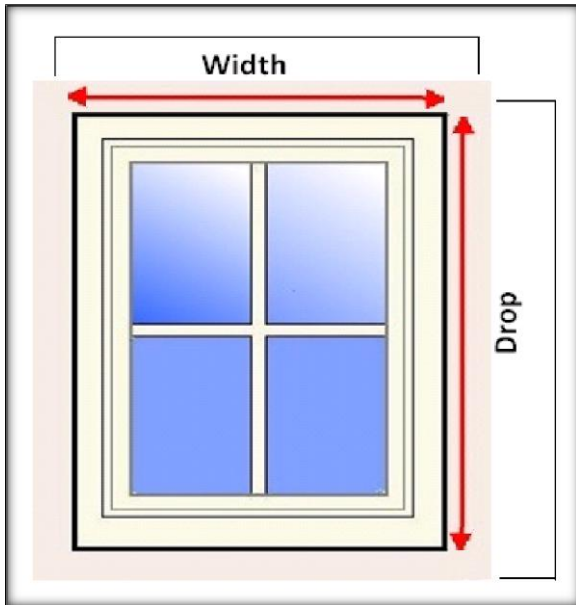
Measurements taken from the left, centre and right sides of the opening and the **smallest of these three measurements will be the drop measurement**.

As per any blind, you can make your own measuring deductions. Ensure that you supply the finished **ACT** (Actual Size) on your order/worksheet. If you would like the factory to make the allowances mark your order **NAM (No Allowances Made)** and the factory will make standard industry deductions, depending on the product ordered.

Face Fit

Face Fit

- ✓ The blind is to be installed on the face/outside surface or architrave surrounding the window.



Width Measurement

Measure from the outside edge to the outside edge of the architrave across the width of the window. On a window opening where there is no architrave or window surround, be sure that you measure the blind 100mm above the window opening and that you extend 50mm either side to ensure that light gaps are minimised.

Drop Measurement

Measure vertically from the top of the architrave to the bottom of the architrave, or to the desired finished length. Where the window is not a full-length window, the width and drop measurements are taken as the finished or actual size of the blind.

As per any blind, you can make your own measuring deductions. Ensure that you supply the finished **ACT (Actual Size)** on your order/worksheet. If you would like the factory to make the allowances mark your order **NAM (No Allowances Made)** and the factory will deduct 10mm off the drop for a face fit blind.

Please note: The standard return on a Venetian Blind fascia is a 67mm as an internal measurement. The smallest return is a 25mm internal measurement. Unless otherwise requested, all returns will be made at the standard size (67mm). If returns are required to go back to the wall surface, then the architrave depth measurement should be noted on the order form.

e.g.: Standard return (67mm) + 20mm architrave depth = 87mm.

11. Ordering Process

All orders for Custom Made Blinds **MUST** be submitted electronically using the latest version of Pacific Wholesale Distributors Custom Made Blinds Order Forms.

References to the Custom Made Blinds Order Forms will be made throughout this manual. If you do not have the latest version of Pacific Wholesale Distributors Custom Made Blinds Order Forms, please contact the office at support@pacificwholesale.com.au and request a copy today.

Please see an example of the Pacific Wholesale Distributors Custom Made Blinds Order Forms on the following pages:

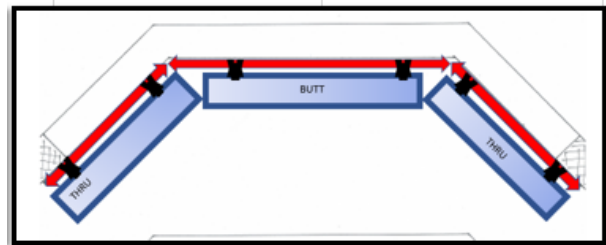
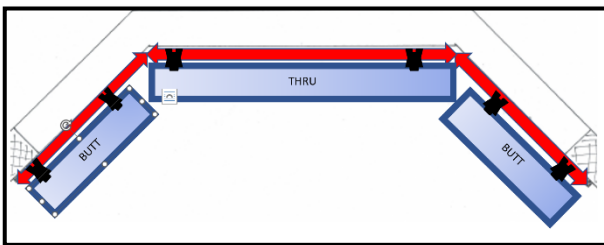
11.1 Special Requirement Windows & Options

There is a large variety of options that can be supplied for windows with special requirements. Some of these include: Bay Windows, Corner Windows, and Cut Outs for Venetian Blinds. Every requirement is different due to the product type and the application. This section will help to outline the details and special requirements needed to manufacture these types of blinds.

11.2 Bay Window

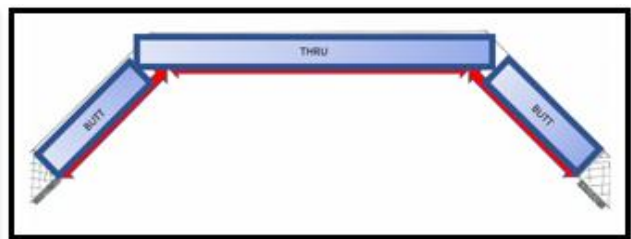
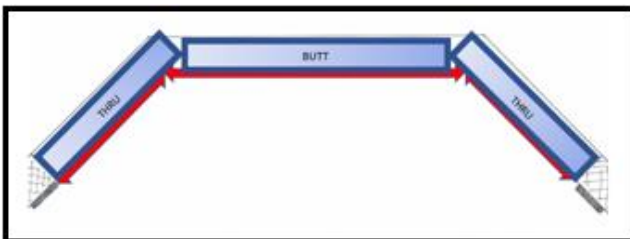
Refer to the diagrams below. When measuring a bay window. Measure in the position indicated by the red arrows. Deductions taken to ensure the blinds fit vary, depending on where the opening is measured, whether it is the Thru or Butt blind, where the blind is to be fitted, and the bracket size or type. It is assumed that Bay Windows are standard 135° angles. Order each blind as a separate item. Indicate each blind clearly on the worksheet and order them as NAM, so the necessary deductions will be made by the factory.

To ensure that there is a suitable fixing point for the safety cleat, it is suggested that the controls for Blind A and C are placed on the outside of the window, and for Blind B ensure a mullion/skirting board is accessible, if the control type includes cords.




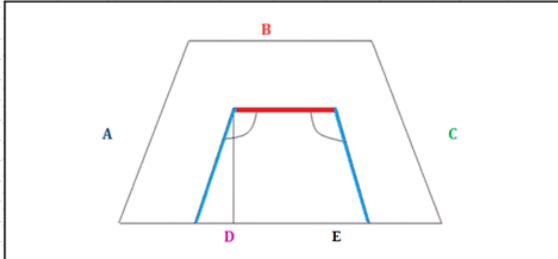
Face Fit – measured at the back of the bracket

Recess Fit – measured at the front of the recess



Bay Window Order Form

The below Bay Window worksheet can be found on our order form.
Please make sure this form is completed when ordering this window type.

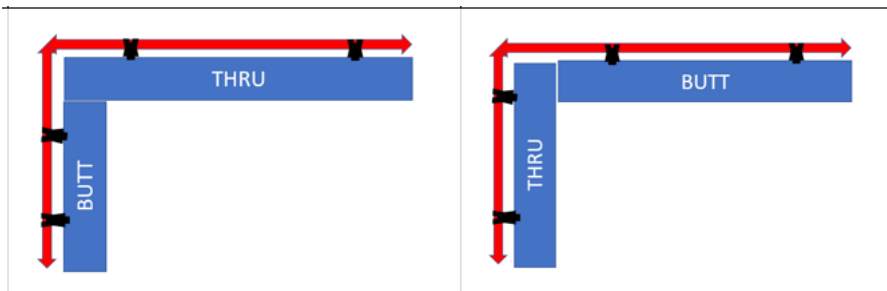
		CMB BAY WORKSHEET									
<i>Please check all the necessary information is on the Order before submitting.</i>		STORE NAME:		0							
		ACCOUNT NAME:		0							
		WORKSHEET # / PO # :		0							
		DATE:		0/01/1900							
PHONE:	+61 2 8850 9301	EMAIL TO:	cmborders@pacificwholesale.com.au								
FAX:	+ 61 2 9680 7488	ENQUIRIES:	cmborders@pacificwholesale.com.au								
											
Room Location	Product	Recess / Face	Allowance ACT / NAM	If Recess: Front/Back Measure	Angle (°)	Measurements (mm)					
						A	B	C	D	E	Drop

11.3 Corner Window

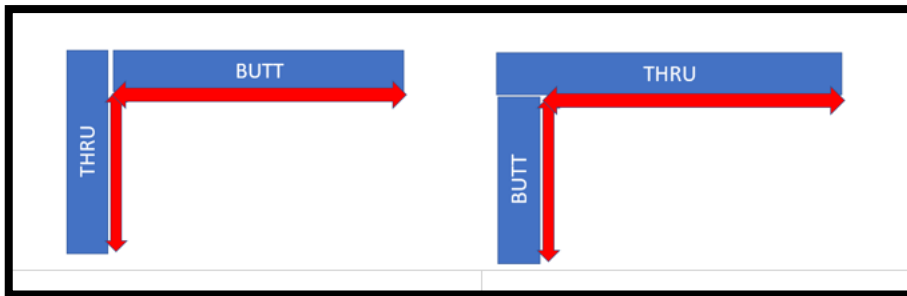
Refer to the diagrams below. When measuring a corner window, measure in the position indicated by the red arrows. Deductions taken to ensure the blinds fit vary, depending on where the opening is measured, whether it is the Thru or Butt, where the blind is to be fitted, and the bracket size or type. It is assumed that Corner Windows are 90o angles. Order each blind as a separate item. Indicate each blind clearly on the worksheet and order them as NAM, so the necessary deductions will be made by the factory.

To ensure that there is a suitable fixing point for the safety cleat, it is suggested that the controls are not placed in the corner of the window.

Face Fit – measured at the back of the bracket



Recess - Front of Recess



Corner Window Order Form

The "Thru" and "Butt" window worksheet can be found on our order form. Please make sure this form is completed when ordering this window type.

PACIFIC WHOLESALE DISTRIBUTORS		CMB CORNER WORKSHEET							
Please check all the necessary information is on the Order before submitting.		STORE NAME:	0						
		ACCOUNT NAME:	0						
		WORKSHEET # / PO #:	0						
		DATE:	0/01/1900						
PHONE:	+61 2 8850 9301	EMAIL TO:	cmborders@pacificwholesale.com.au						
FAX:	+61 2 9680 7488	ENQUIRES:	cmborders@pacificwholesale.com.au						
<div style="display: flex; justify-content: space-around;"> <div style="text-align: center;"> <p>LEFT HAND CORNER (LH)</p> </div> <div style="text-align: center;"> <p>RIGHT HAND CORNER (RH)</p> </div> </div>									
Room Location	Product	Left Hand Or Right Hand	Recess / Face	Allowance ACT / NAM	Butt / Thru	If Recess: Front/Back Measure	Measurements (mm)		
							A	B	Drop

12. Sales Aids

Swatches

We have introduced a range of Sales Aids and swatches that will assist sales people when promoting the Custom-Made Blind Range.

These can be ordered by emailing your order to support@pacificwholesale.com.au

An electronic Sales Aids order form is available.

Please email support@pacificwholesale.com.au and request a Sample Swatches order form to be emailed.

Please see below for the options available.

12.1 50mm and 63mm PS & 50mm Timber Venetian

\$POA each



Includes:

- Slat swatches (all available ranges and colours)

12.2 Cellular Blinds Folder

\$POA each



Includes:

- Cellular Blind Cell samples
- Fabric swatches (all available textures and colours)
- Product information which includes control and functional design options

12.4 Transition Shades Folder

\$POA each



Includes:

- Fabric swatches (all available textures and colours)

12.3 ClimaCell Blinds Folder

\$POA each



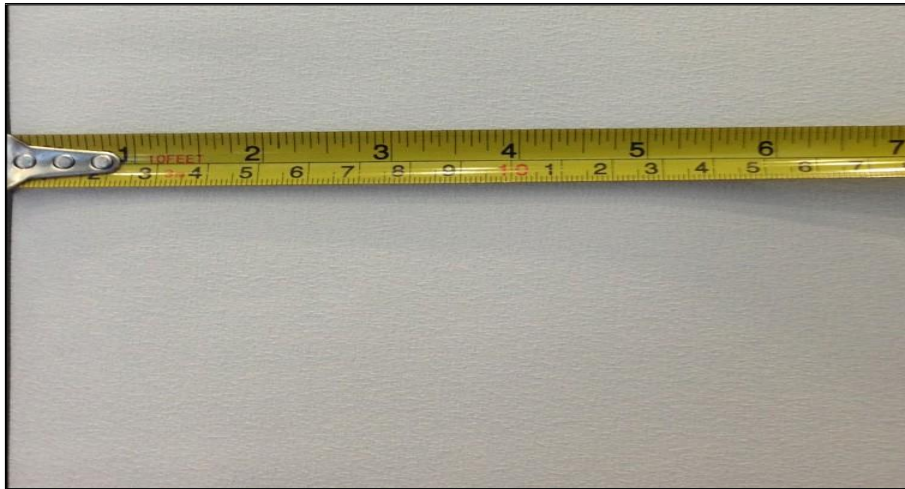
Includes:

- Fabric swatches (all available textures and colours)

12.5 Custom Made Blinds Remake Process

In the event of a Custom Made Blind being received with a defect, the following information must be emailed to support@pacificwholesale.com.au

1. A copy of the original order form.
2. A new order form, clearly showing the blind(s) that need remaking. Please specify that the order is a **remake** – failure to do so may result in the original order being placed as a new order at full charge.
3. A detailed description specifying exactly what the concern is and exactly what blind or component needs remaking. Failure to clearly specify this information may result in a longer lead time.
4. Supporting photographs illustrating any concerns. For example – if the blind supplied was cut to short, then you must provide photographs which show a tape measure being held against the blind, to clearly illustrate the size it was supplied at.



12.6 Care and Maintenance

Proper care and maintenance will increase the life of your investment.

CAUTION:

Never use harsh cloths, harsh abrasives, chlorine or ammonia-based chemicals or cleaners on the Blinds surfaces as they may affect their appearance, longevity and warranty.

Please note: to avoid creating a possible strangulation hazard for children, any corded internal window covering must be installed in such a way that a loose cord cannot form a loop 220mm or longer at a height of less than 1600mm above floor level.

Please also note: in accordance with this safety legislation, the installation of these products must adhere to the following procedures to avoid creating a possible strangulation hazard for children:

- Check there are no loose cords that a child can reach from the floor, cot, bed or by climbing furniture
- Tie any cords out of reach
- Move any furniture that a child can use to climb on to access operational cords
- Do not remove any child safety locks, or warning tags as per the below image.



12.7 Venetian Blinds

Venetian Blinds should be raised and lowered at least once every 2 months to ensure the mechanisms are working properly. Excessive raising and lowering of Venetian Blinds will place unnecessary strain on components and cause premature wear.

Venetian Blinds are designed to be tilted to filter incoming light and closed for privacy. Venetian Blinds should be dusted regularly using a clean soft cloth, feather duster or a vacuum cleaner with a brush attachment to remove accumulated dust. To clean, move along the slats, with the blind in the lowered position, tilt slats (*not entirely closed*) first one way and then tilt the other way to dust both sides and to ensure you reach the top and bottom surfaces of the slats.

If spraying insecticides or any harmful chemicals the blinds must be placed in a raised position. These chemicals **must not** come in contact with the blinds.

Any moving, sliding or pivoting parts should be sprayed using a food grade silicone spray, do not use any abrasive petroleum lubrications.

12.8 Cellular Blinds

Cellular Blinds should be dusted regularly using a clean soft cloth, feather duster or a vacuum cleaner with a brush attachment to remove accumulated dust. Tougher stains can be removed using a neutral soap on a damp cloth.

If spraying insecticides or any harmful chemicals the blinds must be placed in a raised position. These chemicals **must not** come in contact with the blinds.

Any moving, sliding or pivoting parts should be sprayed using a food grade silicone spray, do not use any abrasive petroleum lubrications. Ensure that silicone spray does not come into direct contact with the fabric as this could cause permanent staining.

12.9 ClimaCell Blinds

ClimaCell Blinds should be dusted regularly using a clean soft cloth, feather duster or a vacuum cleaner with a brush attachment to remove accumulated dust. Tougher stains can be removed using a neutral soap on a damp cloth.

If spraying insecticides or any harmful chemicals the blinds must be placed in a raised position. These chemicals **must not** come in contact with the blinds.

Any moving, sliding or pivoting parts should be sprayed using a food grade silicone spray, do not use any abrasive petroleum lubrications. Ensure that silicone spray does not come into direct contact with the fabric as this could cause permanent staining.

12.10 Transition Shades

Transition Shades should be dusted regularly down both sides of the blade, with a soft clean cloth, feather duster or a vacuum cleaner with a brush attachment to remove all accumulated dust. Other stains or marks can be removed using a neutral soap on a damp cloth.

If spraying insecticides or any harmful chemicals the blinds must be placed in a raised position. These chemicals **must not** come in contact with the blinds.

Any moving, sliding or pivoting parts should be sprayed using a food grade silicone spray, do not use any abrasive petroleum lubrications. Ensure that silicone spray does not come into direct contact with the fabric as this could cause permanent staining.

13. Custom Made Blinds Questions & Answers

Q: What is NAM?

A: No Allowance Made – this means you provide the opening size when ordering your blinds and the factory will make the deductions required. Please refer to the [Ordering and Measuring Process](#).

Q: What is ACT?

A: Actual Size – this means you have made the necessary deductions when ordering your blinds and the factory will make no deductions. Please refer to the [Ordering and Measuring Process](#).

Q: Can I order a different sized operating Chain or Wand?

A: Yes. If you require a longer or shorter wand, then please specify this in the “Special Comments” section of your order form.

Q: Can I split the controls for Venetian Blinds?

A: Yes, you can have controls split. This is recommended for easier access and operation of the blinds. Specify what side out you would like each control on at the time of placing your order.

Q: Do I need pictures of faulty goods?

A: Yes, as these are vital facts which the factory requires to support your claim, and they also help to establish what needs to be replaced in order to achieve a quick resolution. Please refer to the [Custom Made Blinds Remake Process](#).

Q: Do you need the goods back once we have replaced them?

A: Not unless requested by Pacific.

Q: What's my lead time on Custom Made Blinds?

A: Usually between 4 and 6 weeks from order confirmation (*i.e. once all information received on the order form is correct and complete without further questions*).

14. Custom Made Blinds Reference Chart

Please refer to the following pages.

Material	Venetian Blind				
Custom Made Blind Range	50mm PS Slat	50mm PS Privacy Slat	50mm Timber Slat	63mm PS Slat	63mm PS Privacy Slat
Size	Blade Sizes				
50mm	✓	✓	✓		
63mm				✓	✓
	Window Types				
Standard	✓	✓	✓	✓	✓
Side By Side	✓	✓	✓	✓	✓
Corner A Butt	✓	✓	✓	✓	✓
Corner A Thru	✓	✓	✓	✓	✓
Corner B Butt	✓	✓	✓	✓	✓
Corner B Thru	✓	✓	✓	✓	✓
Bay A	✓	✓	✓	✓	✓
Bay B	✓	✓	✓	✓	✓
Bay C	✓	✓	✓	✓	✓
	Blind Heights				
Minimum Blind Height	200mm	200mm	200mm	200mm	200mm
Maximum Blind Height	3000mm	3000mm	3000mm	3000mm	3000mm
	Blinds & Window Widths				
Minimum Blind Width	222mm	222mm	222mm	222mm	222mm
Maximum Blind Width	3000mm	3000mm	2400mm	3000mm	3000mm
Maximum Window Width For Single Blind Option	3000mm	3000mm	2400mm	3000mm	3000mm
	Fitting Method				
Face Fit	✓	✓	✓	✓	✓
Recess Fit	✓	✓	✓	✓	✓
	Fascia/Pelmet Options				
Fascia/Pelmet Standard Or Option	Standard	Standard	Standard	Standard	Standard
Colours	Matched To Blind Colour	Matched To Blind Colour	Matched To Blind Colour	Matched To Blind Colour	Matched To Blind Colour
Size	85mm	85mm	85mm	85mm	85mm
	Special Options Available				
Door Cutouts	✓	✓	✓	✓	✓
Multiple Blinds	✓	✓	✓	✓	✓
Suitable For Wet Areas	✓	✓	x	✓	✓
	Additional Options Available				
Other Options	Standard Or Common Fascia 67mm Standard Return Or Size As Requested	Standard Or Common Fascia 67mm Standard Return Or Size As Requested	Standard Or Common Fascia 67mm Standard Return Or Size As Requested	Standard Or Common Fascia 67mm Standard Return Or Size As Requested	Standard Or Common Fascia 67mm Standard Return Or Size As Requested

Custom Made Venetian Blind Range Reference Chart V25

Material		Venetian Blind				
Custom Made Blind Range		50mm PS Slat	50mm PS Privacy Slat	50mm Timber Slat	63mm PS Slat	63mm PS Privacy Slat
Selling Features		Wide Range Of Colours	Superior Privacy & Light Shielding	Wide Range Of Colours	Wide Range Of Colours	Superior Privacy & Light Shielding
		Material				
Material		Polystyrene PS	Polystyrene PS	Paulownia Timber	Polystyrene PS	Polystyrene PS
		Advantages				
Termite Proof		✓	✓		✓	✓
Insulative Properties <i>Keeps Homes Both Cooler In Summer & Warmer In Winter</i>		✓	✓	✓	✓	✓
Repels Moisture		✓	✓		✓	✓
Colour	Finish	Colour Options				
Colour	<i>Painted</i>	Bright White Classic White Earl Grey Snow White Super White	Bright White Classic White Earl Grey Snow White Super White	Beechwood Cedar Image Medium Maple Riva Walnut	Snow White Super White	Snow White Super White

Material	Internal Aluminium Venetian			
Internal Aluminium Venetian Range	25mm Slat	30mm Slat	35mm Slat	50mm Slat
Profile	Blade Sizes			
C	✓		✓	✓
S	✓		✓	
L	✓	✓		✓
	Control Types			
Cord Lock	✓			✓
Cordless	✓			
Chain Control	✓	✓	✓	
Motorised	✓	✓	✓	✓
	Window Types			
Standard	✓	✓	✓	✓
Side By Side	✓	✓	✓	✓
Corner A Butt	✓	✓	✓	✓
Corner A Thru	✓	✓	✓	✓
Corner B Butt	✓	✓	✓	✓
Corner B Thru	✓	✓	✓	✓
Bay A	✓	✓	✓	✓
Bay B	✓	✓	✓	✓
Bay C	✓	✓	✓	✓
	Blind Heights & Width			
Minimum Blind Height	250mm	250mm	250mm	250mm
Maximum Blind Height	C Cord Lock 3000mm L & S Cord Lock 2000mm C Cordless 2000mm L & S Cordless 1800mm C, L & S Chain 3800mm	L Chain 3800mm	C & S Chain 2300mm	C Pull Cord 3100mm L Pull Cord 3100mm
Minimum Blind Width	C Cord Lock 300mm L & S Cord Lock 300mm C Cordless 300mm L & S Cordless 300mm C, L & S Chain 450mm	L Chain 450mm	C & S Chain 450mm	C Pull Cord 700mm L Pull Cord 800mm
Maximum Blind Width	C Cord Lock 2000mm L & S Cord Lock 2000mm C Cordless 1800mm L & S Cordless 1800mm C, L & S Chain 2800mm	L Chain 2600mm	C & S Chain 2500mm	C Pull Cord 3200mm L Pull Cord 2700mm
	Fitting Method			
Face Fit	✓	✓	✓	✓
Recess Fit	✓	✓	✓	✓
	Headbox Options			
Headbox	Standard	Standard	Standard	Standard
Colours	Matched To Blind Colour	Matched To Blind Colour	Matched To Blind Colour	Matched To Blind Colour
	Special Options Available			
Door Cutouts	✓	✓	✓	✓
Multiple Blinds	✓	✓	✓	✓
Suitable For Wet Areas	✓	✓	x	✓

Internal Aluminium Venetian Blind

25mm C Blade Colour	25mm L Blade Colour	25mm S Blade Colour	30mm L Blade Colour	35mm C Blade Colour	35mm S Blade Colour	50mm C Blade Colour	50mm L Blade Colour
PWD 18001	PWD 18001	PWD 18001	PWD 18001	PWD 3050	PWD 3050	PWD 3032	PWD 3032
PWD 18002	PWD 18002	PWD 18002	PWD 18007	PWD 3051	PWD 3051	PWD 5001	PWD 5001
PWD 18003	PWD 18003	PWD 18003	PWD 18010	PWD 3500	PWD 3500	PWD 5002	PWD 5002
PWD 18005	PWD 18005	PWD 18005	PWD 18023	PWD 3501	PWD 3501	PWD 5020	PWD 5020
PWD 18006	PWD 18006	PWD 18006	PWD 19001	PWD 3502	PWD 3502	PWD 5116	PWD 5116
PWD 18007	PWD 18007	PWD 18007	PWD 2600	PWD 3503	PWD 3503	PWD 53006	PWD 53006
PWD 18008	PWD 18008	PWD 18008	PWD 2601	PWD 3508	PWD 3508	PWD 53036	PWD 53036
PWD 18009	PWD 18009	PWD 18009	PWD 2602	PWD 3509	PWD 3509	PWD 55002	PWD 55002
PWD 18010	PWD 18010	PWD 18010	PWD 2652	PWD 3510	PWD 3510	PWD 55004	PWD 55004
PWD 18011	PWD 18011	PWD 18011	PWD 9005	PWD 3511	PWD 3511	PWD 55005	PWD 55005
PWD 18012	PWD 18012	PWD 18012	PWD 9007	PWD 3521	PWD 3521	PWD 5601	PWD 5601
PWD 18016	PWD 18016	PWD 18016	PWD 9010	PWD 3522	PWD 3522	PWD 5602	PWD 5602
PWD 18017	PWD 18017	PWD 18017	PWD 9022	PWD 3523	PWD 3523	PWD 5607	PWD 5607
PWD 18021	PWD 18021	PWD 18021		PWD 3552	PWD 3552	PWD 5620	PWD 5620
PWD 18022	PWD 18022	PWD 18022		PWD 3553	PWD 3553	PWD 5665	PWD 5665
PWD 18023	PWD 18023	PWD 18023		PWD 3703	PWD 3703	PWD 59915	PWD 59915
PWD 19001	PWD 19001	PWD 19001		PWD 39006	PWD 39006	PWD 59916	PWD 59916
PWD 19005	PWD 19005	PWD 19005		PWD 39009	PWD 39009		
PWD 19007	PWD 19007	PWD 19007		PWD 8302	PWD 8302		
PWD 21003	PWD 21003	PWD 21003		PWD 8305	PWD 8305		
PWD 21005	PWD 21005	PWD 21005					
PWD 21006	PWD 21006	PWD 21006					
PWD 21007	PWD 21007	PWD 21007					
PWD 21008	PWD 21008	PWD 21008					
PWD 21009	PWD 21009	PWD 21009					
PWD 21010	PWD 21010	PWD 21010					
PWD 2300	PWD 2300	PWD 2300					
PWD 2301	PWD 2301	PWD 2301					
PWD 2306	PWD 2306	PWD 2306					
PWD 2600	PWD 2600	PWD 2600					
PWD 2601	PWD 2601	PWD 2601					
PWD 2602	PWD 2602	PWD 2602					
PWD 2659	PWD 2659	PWD 2659					
PWD 2806	PWD 2901	PWD 2901					
PWD 2807	PWD 2902	PWD 2902					
PWD 2901	PWD 2906	PWD 2906					
PWD 2902	PWD 2907	PWD 2907					
PWD 2906	PWD 6001	PWD 6001					
PWD 2907	PWD 6003	PWD 6003					
PWD 6001	PWD 6007	PWD 6007					
PWD 6003	PWD 6010	PWD 6010					
PWD 6007	PWD 7003	PWD 7003					
PWD 6010	PWD 7006	PWD 7006					
PWD 7003	PWD 9003	PWD 9003					
PWD 7006	PWD 9005	PWD 9005					
PWD 9003	PWD 9006	PWD 9006					
PWD 9005	PWD 9007	PWD 9007					
PWD 9006	PWD 9010	PWD 9010					
PWD 9007	PWD 9011	PWD 9011					
PWD 9010	PWD 9012	PWD 9012					
PWD 9011	PWD 9015	PWD 9015					
PWD 9012	PWD 9016	PWD 9016					
PWD 9015	PWD 9017	PWD 9017					
PWD 9016	PWD 9018	PWD 9018					
PWD 9017	PWD 9019	PWD 9019					
PWD 9018	PWD 9020	PWD 9020					
PWD 9019	PWD 9021	PWD 9021					
PWD 9020	PWD 9022	PWD 9022					
PWD 9022							
PWD 9021							



Custom Made External Aluminium Venetian Blind Range Options Chart V25

Material	Venetian Blind				
Custom Made Blind Blade Type	C Profile 60mm Blade C60	C Profile 80mm Blade C80	CR Profile 65mm Blade CR65	CR Profile 80mm Blade CR80	ZR Profile 105mm Blade ZR105
Window Types					
Side By Side	✓	✓	✓	✓	✓
Motorised ¹	✓	✓	✓	✓	✓
Blind Heights					
Minimum Blind Height	600mm	600mm	600mm	600mm	600mm
Maximum Blind Height	5000mm	5000mm	5000mm	5000mm	5000mm
Blinds Widths					
Minimum Blind Width	600mm	600mm	600mm	600mm	600mm
Maximum Blind Width	4500mm	4500mm	4500mm	4500mm	4500mm
Maximum Total Square Metre's Per Blind					
Maximum m ²	15m ²	15m ²	15m ²	15m ²	15m ²
Fitting Method					
Face Fit	✓	✓	✓	✓	✓
Top Fit	✓	✓	✓	✓	✓
Fascia/Pelmet Options					
Fascia/Pelmet Standard Or Option	L Profile U Profile No Pelmet	L Profile U Profile No Pelmet	L Profile U Profile No Pelmet	L Profile U Profile No Pelmet	L Profile U Profile No Pelmet
Special Options Available					
Guide Options ²	Cable Guide ²	Cable Guide ²	Cable Guide ² Guide Profile	Cable Guide ² Guide Profile	Guide Profile
Motor Position	Left Right Centre	Left Right Centre	Left Right Centre	Left Right Centre	Left Right Centre
Colour	Colour Options				
Colour	Grey PWD 8 Silver PWD 6	Grey PWD 8 Silver PWD 6	Grey PWD 8 Silver PWD 6	Grey PWD 8 Silver PWD 6	Silver PWD 6
Notes:	¹ A multi-channel and single channel remote is available. Please specify in the order form comments type and quantity required. ² Cable Guide is supplied in grey				

Custom Made Cellular Blind Range Options Chart V25

Blind Type		Single Cellular											
		Cell size - 25mm											
		Corded			Cordless			Clutch			Motorised		
Operation Type		Corded Standard	Corded Day Night	Corded Top Down, Bottom Up	Cordless Standard ¹	Cordless Day Night	Cordless Top Down, Bottom Up	Clutch Standard	Clutch Day Night	Clutch Top Down, Bottom Up	Motorised Standard	Motorised Day Night	Motorised Top Down, Bottom Up
Size		Blade Sizes											
25mm		✓	✓	✓	✓	✓	✓	✓	✓	✓	✓	✓	✓
		Window Types											
Standard		✓	✓	✓	✓	✓	✓	✓	✓	✓	✓	✓	✓
Side By Side		✓	✓	✓	✓	✓	✓	✓	✓	✓	✓	✓	✓
Corner A Butt		✓	✓	✓	✓	✓	✓	✓	✓	✓	✓	✓	✓
Corner A Thru		✓	✓	✓	✓	✓	✓	✓	✓	✓	✓	✓	✓
Corner B Butt		✓	✓	✓	✓	✓	✓	✓	✓	✓	✓	✓	✓
Corner B Thru		✓	✓	✓	✓	✓	✓	✓	✓	✓	✓	✓	✓
Bay A		✓	✓	✓	✓	✓	✓	✓	✓	✓	✓	✓	✓
Bay B		✓	✓	✓	✓	✓	✓	✓	✓	✓	✓	✓	✓
Bay C		✓	✓	✓	✓	✓	✓	✓	✓	✓	✓	✓	✓
		Blind Heights											
Minimum Blind Height	25mm	300mm	300mm	300mm	300mm	300mm	300mm	300mm	300mm	300mm	300mm	300mm	300mm
Maximum Blind Height		2500mm	2500mm	2500mm	2100mm	2100mm	2100mm	2500mm	2500mm	2500mm	2500mm	2500mm	2500mm
		Maximum Total Square Metre's Per Blind											
25mm Blind		7.5m ²	4.56m ²	7.5m ²	5.1m ²	5.1m ²	5.1m ²	7.5m ²	6.4m ²	7.32m ²	7.5m ²	7m ²	7.5m ²
		Blind Widths											
Minimum Blind Width		200mm	450mm	450mm	250mm	550mm	550mm	300mm	570mm *	570mm *	710mm (Battery Pack & Rechargeable Battery) 620mm (Powered With Adapter)	850mm - 1000mm (Powered With Adapter) ²	850mm - 1000mm (Powered With Adapter) ²
Maximum Blind Width		3000mm	3000mm	3000mm	2400mm	2400mm	2400mm	3000mm	3000mm	3000mm	3000mm	3000mm	3000mm
		Fitting Method											
Face Fit		✓	✓	✓	✓	✓	✓	✓	✓	✓	✓	✓	✓
Recess Fit		✓	✓	✓	✓	✓	✓	✓	✓	✓	✓	✓	✓
		Head Rail/Fascia/Pelmet Options											
Fascia/Pelmet Standard Or Option		Standard	Standard	Standard	Standard	Standard	Standard	Standard	Standard	Standard	Standard	Standard	Standard
Colours		Matched To Blind Colour	Matched To Blind Colour	Matched To Blind Colour	Matched To Blind Colour	Matched To Blind Colour	Matched To Blind Colour	Matched To Blind Colour	Matched To Blind Colour	Matched To Blind Colour	Matched To Blind Colour	Matched To Blind Colour	Matched To Blind Colour
Fabric Insert		x	x	x	x	x	x	x	x	x	x	x	x
		Special Options Available											
Door Cutouts		x	x	x	x	x	x	x	x	x	x	x	x
Multiple Blinds		✓	✓	✓	✓	✓	✓	✓	✓	✓	✓	✓	✓
Suitable For Wet Areas		x	x	x	x	x	x	x	x	x	x	x	x
Motorisation Information		<p>The Motorised Options are:</p> <p>Battery Operated Motor with Wand or Remote. Battery Operated Blinds use 8 x AA Batteries per Blind (batteries not included). These are not recommended for frequent use as the batteries may require regular changing. The batteries will need replacing according to the frequency of use and are not rechargeable. Motorised Battery options are not recommended for high window areas (due to the requirement to change batteries).</p> <p>Rechargeable Lithium Battery Operated Motor With Power Adapter with Wand or Remote. These use a 240V Mains Plug and will require a power point/socket close to the Blind when recharging the battery.</p> <p>Powered Operated Motor With Power Adapter (Hardwired Motor) with Wand or Remote. These use a 240V Mains Plug and will require a power point/socket close to the Blind. The Blinds will need a continuous power source to operate.</p>											
Notes		<p>* Clutch Day Night, One Control Cord minimum width is; 600mm (Height < 2000mm), 700mm (Height > 2000mm). Clutch Cord is supplied as Cotton/White, unless specified otherwise.</p> <p>Side Channels for Corded and Cordless Cellulars are supplied in 3m lengths as a minimum pack size of 4.</p> <p>¹ 25mm Cordless are not recommended in Standard Blockout and Translucent Woven Fabric as they may not fully retract if they are not operated frequently.</p> <p>² Motorised Day Night & Motorised Top Down, Bottom Up Minimum Widths; 850mm (Powered Operated Motor With Power Adapter - Simple Touch Wand) 1000mm (Powered Operated Motor With Power Adapter - Simple Touch Wireless Remote)</p>											

Custom Made Cellular Blind Range Reference Chart V25

Blind Type	Single Cellular											
	Cell Size - 25mm											
	Corded			Cordless			Clutch			Motorised		
Operation Type	Corded Standard	Corded Day Night	Corded Top Down, Bottom Up	Cordless Standard	Cordless Day Night	Cordless Top Down, Bottom Up	Clutch Standard	Clutch Day Night	Clutch Top Down, Bottom Up	Motorised Standard	Motorised Day Night	Motorised Top Down, Bottom Up
	Selling Features											
Selling Features	Smaller Headbox Insulation Ideal For Smaller Drops Side Channels Available	Light Filtering & Blockout Configuration Smaller Headbox Insulation Ideal For Smaller Drops Side Channels Available	Increased Level Of Control & Privacy Smaller Headbox Insulation Ideal For Smaller Drops Side Channels Available	No Chains Or Cords Easy Operation Child Safe Insulation Side Channels Available	Light Filtering & Blockout Configuration No Chains Or Cords Easy Operation Child Safe Insulation Side Channels Available	Increased Level Of Control & Privacy No Chains Or Cords Easy Operation Child Safe Insulation Side Channels Available	Clutch Assisted Operation Insulation	Light Filtering & Blockout Configuration Clutch Assisted Operation Insulation	Increased Level Of Control & Privacy Clutch Assisted Operation Insulation	Easy Operation Motorised Wand Control Or Remote No Chains Or Cords Child Safe Insulation	Light Filtering & Blockout Configuration Easy Operation Motorised Wand Control Or Remote No Chains Or Cords Child Safe Insulation	Increased Level Of Control & Privacy Easy Operation Motorised Wand Control Or Remote No Chains Or Cords Child Safe Insulation
	Advantages											
Insulative Properties Keeps Homes Both Cooler In Summer & Warmer In Winter	✓	✓	✓	✓	✓	✓	✓	✓	✓	✓	✓	✓
Fade Resistant	✓	✓	✓	✓	✓	✓	✓	✓	✓	✓	✓	✓
Child Safe	*	*	*	✓	✓	✓	*	*	*	✓	✓	✓
Dust Resistant	✓	✓	✓	✓	✓	✓	✓	✓	✓	✓	✓	✓
Mould Resistant	✓	✓	✓	✓	✓	✓	✓	✓	✓	✓	✓	✓
Repels Moisture	✓	✓	✓	✓	✓	✓	✓	✓	✓	✓	✓	✓
PVC Free	✓	✓	✓	✓	✓	✓	✓	✓	✓	✓	✓	✓
	Fabric Options											
Blockout Standard	Alabaster, Avocado, Black, Bordeaux, Cocoa, Cotton, Fawn, Federal Blue, Gray Sheen, Jean Blue, Ocher, Onion, Pink Flamingo, Pongee, Royal Purple											
Translucent Standard	Agate Red, Alabaster, Avocado, Biscuit, Black, Bordeaux, Cocoa, Cotton, Cream, Fawn, Gray Sheen, Jean Bue, Marine Blue, Ocher, Onion, Pink Flamingo, Pongee, Roseate, Royal Gray, Royal Purple, Snow White, Spring Green, Stone Red, Tan, Terra Cotta, Water Green, White Dove, Wisteria											
Translucent Paisley	Bordeaux, Cocoa, Fawn, Pongee, Royal Purple											
Translucent Sheer	Anthracite, Avocado, Black, Alabaster, Cocoa, Cotton, Fawn, Gray Sheen, Pink Flamingo, Snow White											
Translucent Thatched	Avocado, Cocoa, Fawn, Pongee, Terra Cotta											
Translucent Woven	Avocado, Cocoa, Cotton, Fawn, Onion											
Day Night Option Available												
Day Night Colours	Day Night Can Be Ordered With Any Combination Of The Same Cell Size Blockout & Translucent Colours.											

Custom Made Cellular Blind Range Options Chart V25

Blind Type		Single Cellular													
		Cell Size - 38mm												Skylight Cellular Blinds Are Available in 38mm Single Cell Only ³	
		Corded			Cordless			Clutch			Motorised			Skylight	
Operation Type		Corded Standard	Corded Day Night	Corded Top Down, Bottom Up	Cordless Standard	Cordless Day Night	Cordless Top Down, Bottom Up	Clutch Standard	Clutch Day Night	Clutch Top Down, Bottom Up	Motorised Standard	Motorised Day Night	Motorised Top Down, Bottom Up	Cordless Standard	Motorised Standard
Size		Blade Sizes													
38mm		✓	✓	✓	✓	✓	✓	✓	✓	✓	✓	✓	✓	✓	✓
		Window Types													
Standard		✓	✓	✓	✓	✓	✓	✓	✓	✓	✓	✓	✓	✓	✓
Side By Side		✓	✓	✓	✓	✓	✓	✓	✓	✓	✓	✓	✓	✓	✓
Corner A Butt		✓	✓	✓	✓	✓	✓	✓	✓	✓	✓	✓	✗	✗	
Corner A Thru		✓	✓	✓	✓	✓	✓	✓	✓	✓	✓	✓	✗	✗	
Corner B Butt		✓	✓	✓	✓	✓	✓	✓	✓	✓	✓	✓	✗	✗	
Corner B Thru		✓	✓	✓	✓	✓	✓	✓	✓	✓	✓	✓	✗	✗	
Bay A		✓	✓	✓	✓	✓	✓	✓	✓	✓	✓	✓	✗	✗	
Bay B		✓	✓	✓	✓	✓	✓	✓	✓	✓	✓	✓	✗	✗	
Bay C		✓	✓	✓	✓	✓	✓	✓	✓	✓	✓	✓	✗	✗	
		Blind Heights													
Minimum Blind Height	38mm	300mm	300mm	300mm	300mm	300mm	300mm	300mm	300mm	300mm	300mm	300mm	300mm	300mm	600mm
Maximum Blind Height		3600mm	3600mm	3600mm	2100mm	2100mm	2100mm	3000mm	3000mm	3000mm	3000mm	3000mm	3000mm	2100mm	2100mm
		Maximum Total Square Metre's Per Blind													
38mm Blind		10.8m ²	5.5m ²	10.8m ²	5.1m ²	5.1m ²	5.1m ²	9m ²	6.4m ²	7.32m ²	9m ²	7m ² Blockout & Translucent 7m ² Blockout & Lattice 5.50m ² Blockout & Woven	9m ²	5.04m ²	5.04m ²
		Blind Widths													
Minimum Blind Width		200mm	450mm	450mm	250mm	550mm	550mm	300mm	570mm [*]	570mm [*]	710mm (Battery Pack & Rechargeable Battery) 620mm (Powered With Adapter)	850mm - 1000mm (Powered With Adapter) ¹	850mm - 1000mm (Powered With Adapter) ²	450mm	630mm (Powered With Adapter)
Maximum Blind Width		3000mm	3000mm	3000mm	2400mm	2400mm	2400mm	3000mm	3000mm	3000mm	3000mm	3000mm	3000mm	1800mm	2400mm
		Fitting Method													
Face Fit		✓	✓	✓	✓	✓	✓	✓	✓	✓	✓	✓	✓	✓	✓
Recess Fit		✓	✓	✓	✓	✓	✓	✓	✓	✓	✓	✓	✓	✓	✓
		Head Rail/Fascia/Pelmet Options													
Fascia/Pelmet Standard Or Option		Standard	Standard	Standard	Standard	Standard	Standard	Standard	Standard	Standard	Standard	Standard	Standard	Standard	Standard
Colours		Matched To Blind Colour	Matched To Blind Colour	Matched To Blind Colour	Matched To Blind Colour	Matched To Blind Colour	Matched To Blind Colour	Matched To Blind Colour	Matched To Blind Colour	Matched To Blind Colour	Matched To Blind Colour	Matched To Blind Colour	Matched To Blind Colour	Matched To Blind Colour	¹ Matched To Blind Colour
Fabric Insert		✗	✗	✗	✗	✗	✗	✗	✗	✗	✗	✗	✗	✗	✗
		Special Options Available													
Door Cutouts		✗	✗	✗	✗	✗	✗	✗	✗	✗	✗	✗	✗	✗	✗
Multiple Blinds		✓	✓	✓	✓	✓	✓	✓	✓	✓	✓	✓	✓	✓	✗
Suitable For Wet Areas		✗	✗	✗	✗	✗	✗	✗	✗	✗	✗	✗	✗	✗	✗
Motorisation Information		<p>The Motorised Options are: Battery Operated Motor with Wand or Remote. Battery Operated Blinds use 8 x AA Batteries per Blind (batteries not included). These are not recommended for frequent use as the batteries may require regular charging. The batteries will need replacing according to the frequency of use and are not rechargeable. Motorised Battery options are not recommended for high window areas (due to the requirements to change batteries). This option is not available for Skylight Motorised Blinds.</p> <p>Rechargeable Lithium Battery Operated Motor With Power Adapter with Wand or Remote. These use a 240V Mains Plug and will require a power point/socket close to the Blind when recharging the battery. This option is not available for Skylight Motorised Blinds.</p> <p>Powered Operated Motor With Power Adapter (Hardwired Motor) with Wand or Remote. These use a 240V Mains Plug and will require a power point/socket close to the Blind. The Blinds will need a continuous power source to operate.</p>													
Notes		<p>[*] Clutch Day Night, One Control Cord minimum width is; 600mm (Height < 2000mm), 700mm (Height ≥ 2000mm). Clutch Cord is supplied as Cotton/White, unless specified otherwise.</p> <p>Side Channels for Corded and Cordless Cellulars are supplied in 3m lengths as a minimum pack size of 4.</p> <p>¹ Motorised Day Night & Motorised Top Down, Bottom Up Minimum Widths; 850mm (Powered Operated Motor With Power Adapter - Simple Touch Wand) 1000mm (Powered Operated Motor With Power Adapter - Simple Touch Wireless Remote)</p> <p>² Motorised Skylight Side Channels available in White only.</p> <p>³ Skylight Cellular Blinds are designed to be installed within a recess.</p>													

Blind Type	Single Cellular													
	Cell Size - 38mm												Skylight Cellular Blinds Are Available In 38mm Single Cell Only	
	Corded			Cordless			Clutch			Motorised			Skylight	
Operation Type	Corded Standard	Corded Day Night	Corded Top Down, Bottom Up	Cordless Standard	Cordless Day Night	Cordless Top Down, Bottom Up	Clutch Standard	Clutch Day Night	Clutch Top Down, Bottom Up	Motorised Standard	Motorised Day Night	Motorised Top Down, Bottom Up	Cordless Standard	Motorised Standard
Selling Features	Selling Features													
	Smaller Headbox Insulation Ideal For Smaller Drops Side Channels Available	Light Filtering & Blockout Configuration Smaller Headbox Insulation Ideal For Smaller Drops Side Channels Available	Increased Level Of Control & Privacy Smaller Headbox Insulation Ideal For Smaller Drops Side Channels Available	No Chains Or Cords Easy Operation Child Safe Insulation Side Channels Available	Light Filtering & Blockout Configuration No Chains Or Cords Easy Operation Child Safe Insulation Side Channels Available	Increased Level Of Control & Privacy No Chains Or Cords Easy Operation Child Safe Insulation Side Channels Available	Clutch Assisted Operation Insulation	Light Filtering & Blockout Configuration Clutch Assisted Operation Insulation	Increased Level Of Control & Privacy Clutch Assisted Operation Insulation	Easy Operation Motorised Wand Control Or Remote No Chains Or Cords Child Safe Insulation	Light Filtering & Blockout Configuration Easy Operation Motorised Wand Control Or Remote No Chains Or Cords Child Safe Insulation	Increased Level Of Control & Privacy Easy Operation Motorised Wand Control Or Remote No Chains Or Cords Child Safe Insulation	Great Solution For Skylight Windows No Chains Or Cords Easy Operation Child Safe Insulation Easy To Reach Extendable Pole Available	The Ultimate Solution For Hard-To-Reach Skylight Windows Easy Operation Motorised Remote No Chains Or Cords Child Safe Insulation
Advantages	Advantages													
Insulative Properties Keeps Homes Both Cooler In Summer & Warmer In Winter	✓	✓	✓	✓	✓	✓	✓	✓	✓	✓	✓	✓	✓	✓
Fade Resistant	✓	✓	✓	✓	✓	✓	✓	✓	✓	✓	✓	✓	✓	✓
Child Safe	x	x	x	✓	✓	✓	x	x	x	✓	✓	✓	✓	✓
Dust Resistant	✓	✓	✓	✓	✓	✓	✓	✓	✓	✓	✓	✓	✓	✓
Mould Resistant	✓	✓	✓	✓	✓	✓	✓	✓	✓	✓	✓	✓	✓	✓
Repels Moisture	✓	✓	✓	✓	✓	✓	✓	✓	✓	✓	✓	✓	✓	✓
PVC Free	✓	✓	✓	✓	✓	✓	✓	✓	✓	✓	✓	✓	✓	✓
Fabric Options	Fabric Options													
Blockout Standard	Alabaster, Anthracite, Aqua Glass, Avocado, Black, Bordeaux, Buff Yellow, Cloak Gray, Cocoa, Cotton, Crystal Pink, Dark Chocolate, Fawn, Federal Blue, Gray Ridge, Gray Sheen, Ironstone, Jean Blue, Ocher, Onion, Orion Blue, Pink Flamingo, Pongee, Royal Purple, Roycroft Bottle Green, Sticks & Stones, White Dove													
Blockout Bamboo Print	Antique Pewter, Avocado, Dark Chocolate, Dark Gray B, Gray Sheen, Jean Blue, Pongee, Royal Gray, Sticks & Stones													
Translucent Standard	Agate Red, Alabaster, Anthracite, Antique Pewter, Avocado, Biscuit, Black, Bordeaux, Cloak Gray, Cocoa, Cotton, Cream, Cyberspace, Dark Chocolate, Fawn, Gray Sheen, Ironstone, Jean Bue, Marine Blue, Ocher, Onion, Pier, Pink Flamingo, Pongee, Roseate, Royal Gray, Royal Purple, Roycroft Bottle Green, Roycroft Mist Gray, Snow White, Spring Green, Sticks & Stones, Stone Red, Tan, Terra Cotta, Warm Cocoa, Water Green, White Dove, Wisteria													
Translucent Bamboo Print	Antique Pewter, Avocado, Dark Chocolate, Dark Gray B, Gray Sheen, Jean Blue, Pongee, Royal Gray, Sticks & Stones													
Translucent Crepe Woven	Acacia Haze, Anthracite, Chocolate, Cornsilk A, Cotton, Espresso A, Fawn A, Fire Brick A, Gourmet Chocolate, Gray Moss, Light Aquamarine, Light Olive Green, Mink A, Navy, Plebian Blue, Royal Gray A, Sangria A, Stallion, Tumbleweed, Wild Ginger													
Translucent Crush	Cocoa, Cotton, Fawn, White Dove, Winter White													
Translucent Linen	Agate Red, Avocado, Cocoa, Jean Blue, Royal Gray, Royal Purple													
Translucent Paisley	Bordeaux, Cocoa, Fawn, Pongee, Royal Purple													
Translucent Sheer	Alabaster, Anthracite, Avocado, Black, Cocoa, Cotton, Fawn, Gray Sheen, Pink Flamingo, Snow White													
Translucent Sheer A	Cotton, Alabaster, Gray Sheen, Snow White													
Translucent Slub Woven	Alabaster, Black, Cocoa, Cotton, Gray Sheen													
Translucent Thatched	Avocado, Cocoa, Fawn, Pongee, Terra Cotta													
Translucent Woven	Anthracite, Antique Pewter, Avocado, Cocoa, Cotton, Fawn, French Press, Ironstone, Onion, White Dove													
Day Night Option Available														
Day Night Colours	Day Night Can Be Ordered With Any Combination Of The Same Cell Size Blockout & Translucent Colours.													

Skylight Cellular Blinds Are Available In All 38mm Single Cell Fabric Ranges & Colours Only

Custom Made Cellular Blind Range Options Chart V25

Blind Type		Single Cellular											
		Cell Size - 45mm											
		Corded			Cordless			Clutch			Motorised		
Operation Type		Corded Standard	Corded Day Night	Corded Top Down, Bottom Up	Cordless Standard	Cordless Day Night	Cordless Top Down, Bottom Up	Clutch Standard	Clutch Day Night	Clutch Top Down, Bottom Up	Motorised Standard	Motorised Day Night	Motorised Top Down, Bottom Up
Size		Blade Sizes											
45mm		✓	✓	✓	✓	✓	✓	✓	✓	✓	✓	✓	✓
		Window Types											
Standard		✓	✓	✓	✓	✓	✓	✓	✓	✓	✓	✓	✓
Side By Side		✓	✓	✓	✓	✓	✓	✓	✓	✓	✓	✓	✓
Corner A Butt		✓	✓	✓	✓	✓	✓	✓	✓	✓	✓	✓	✓
Corner A Thru		✓	✓	✓	✓	✓	✓	✓	✓	✓	✓	✓	✓
Corner B Butt		✓	✓	✓	✓	✓	✓	✓	✓	✓	✓	✓	✓
Corner B Thru		✓	✓	✓	✓	✓	✓	✓	✓	✓	✓	✓	✓
Bay A		✓	✓	✓	✓	✓	✓	✓	✓	✓	✓	✓	✓
Bay B		✓	✓	✓	✓	✓	✓	✓	✓	✓	✓	✓	✓
Bay C		✓	✓	✓	✓	✓	✓	✓	✓	✓	✓	✓	✓
		Blind Heights											
Minimum Blind Height	45mm	300mm	300mm	300mm	300mm	300mm	300mm	300mm	300mm	300mm	300mm	300mm	300mm
Maximum Blind Height		3600mm	3600mm	3600mm	2100mm	2100mm	2100mm	3000mm	3000mm	3000mm	3000mm	3000mm	3000mm
		Maximum Total Square Metre's Per Blind											
45mm Blind		10.8m ²	5.5m ²	10.8m ²	5.1m ²	5.1m ²	5.1m ²	9m ²	6.4m ²	7.32m ²	9m ²	7m ² Window & Treatment 7m ² Window & Treat 5.5m ² Window & Treat	9m ²
		Blind Widths											
Minimum Blind Width		200mm	450mm	450mm	250mm	550mm	550mm	300mm	570mm *	570mm *	710mm (Battery Pack, Rechargeable Battery & USB-C) 620mm (Powered With Adapter)	850mm - 1000mm (Powered With Adapter) [†]	850mm - 1000mm (Powered With Adapter) [†]
Maximum Blind Width		3000mm	3000mm	3000mm	2400mm	2400mm	2400mm	3000mm	3000mm	3000mm	3000mm	3000mm	3000mm
		Fitting Method											
Face Fit		✓	✓	✓	✓	✓	✓	✓	✓	✓	✓	✓	✓
Recess Fit		✓	✓	✓	✓	✓	✓	✓	✓	✓	✓	✓	✓
		Head Rail/Fascia/Pelmet Options											
Fascia/Pelmet Standard Or Option		Standard	Standard	Standard	Standard	Standard	Standard	Standard	Standard	Standard	Standard	Standard	Standard
Colours		Matched To Blind Colour	Matched To Blind Colour	Matched To Blind Colour	Matched To Blind Colour	Matched To Blind Colour	Matched To Blind Colour	Matched To Blind Colour	Matched To Blind Colour	Matched To Blind Colour	Matched To Blind Colour	Matched To Blind Colour	Matched To Blind Colour
Fabric Insert		x	x	x	x	x	x	x	x	x	x	x	x
		Special Options Available											
Door Cutouts		x	x	x	x	x	x	x	x	x	x	x	x
Multiple Blinds		✓	✓	✓	✓	✓	✓	✓	✓	✓	✓	✓	✓
Suitable For Wet Areas		x	x	x	x	x	x	x	x	x	x	x	x
Motorisation information		<p>The Motorised Options are:</p> <p>Battery Operated Motor with Wand or Remote. Battery Operated Blinds use 8 x AA Batteries per Blind (batteries not included). These are not recommended for frequent use as the batteries may require regular changing. The batteries will need replacing according to the frequency of use and are not rechargeable. Motorised battery options are not recommended for high window area's (due to the requirements to change batteries).</p> <p>Rechargeable Lithium Battery Operated Motor With Power Adapter with Wand or Remote. These use a 240V Mains Plug and will require a power point/socket close to the Blind when recharging the battery.</p> <p>Rechargeable USB-C Operated Motor with Wand & Remote. These use a USB-C cable that is plugged into the bottom of the Wand to be charged. USB-C to USB-C charging cable is supplied at 1.5m length. The plug for the socket will not be provided.</p> <p>Powered Operated Motor With Power Adapter (Hardwired Motor) with Wand or Remote. These use a 240V Mains Plug and will require a power point/socket close to the Blind. The Blinds will need a continuous power source to operate.</p>											

Blind Type	Single Cellular											
	Cell Size - 45mm											
	Corded			Cordless			Clutch			Motorised		
Operation Type	Corded Standard	Corded Day Night	Corded Top Down, Bottom Up	Cordless Standard	Cordless Day Night	Cordless Top Down, Bottom Up	Clutch Standard	Clutch Day Night	Clutch Top Down, Bottom Up	Motorised Standard	Motorised Day Night	Motorised Top Down, Bottom Up
	Selling Features											
Selling Features	Smaller Headbox Insulation Ideal For Smaller Drops	Light Filtering & Blockout Configuration Smaller Headbox Insulation Ideal For Smaller Drops	Increased Level Of Control & Privacy Smaller Headbox Insulation Ideal For Smaller Drops	No Chains Or Cords Easy Operation Child Safe Insulation	Light Filtering & Blockout Configuration No Chains Or Cords Easy Operation Child Safe Insulation	Increased Level Of Control & Privacy No Chains Or Cords Easy Operation Child Safe Insulation	Clutch Assisted Operation Insulation	Light Filtering & Blockout Configuration Clutch Assisted Operation Insulation	Increased Level Of Control & Privacy Clutch Assisted Operation Insulation	Easy Operation Motorised Wand Control Or Remote No Chains Or Cords Child Safe Insulation	Light Filtering & Blockout Configuration Easy Operation Motorised Wand Control Or Remote No Chains Or Cords Child Safe Insulation	Increased Level Of Control & Privacy Easy Operation Motorised Wand Control Or Remote No Chains Or Cords Child Safe Insulation
	Advantages											
Insulative Properties Keeps Homes Both Cooler In Summer & Warmer In Winter	✓	✓	✓	✓	✓	✓	✓	✓	✓	✓	✓	✓
Fade Resistant	✓	✓	✓	✓	✓	✓	✓	✓	✓	✓	✓	✓
Child Safe	x	x	x	✓	✓	✓	x	x	x	✓	✓	✓
Dust Resistant	✓	✓	✓	✓	✓	✓	✓	✓	✓	✓	✓	✓
Mould Resistant	✓	✓	✓	✓	✓	✓	✓	✓	✓	✓	✓	✓
Repels Moisture	✓	✓	✓	✓	✓	✓	✓	✓	✓	✓	✓	✓
PVC Free	✓	✓	✓	✓	✓	✓	✓	✓	✓	✓	✓	✓
	Fabric Options											
Blockout Standard	Antique Red, Bottle Of Bordeaux, Cotton, Fresh Brew, In The Navy, Poppyseed, Stormy Sky											
Blockout Lux-Linen	Chantilly Lace, Cotswold, Cotton, Hazy Skies, Royal Gray A, Taos Taupe											
Blockout Woodgrain	Accessible Beige, Amazing Gray, Gray Matters, Gray Screen, Tony Taupe											
Blockout Woodgrain Linen	Blanched Almond A, Coral Black, Dawn Gray, Light Walnut, Silver Gray											
Blockout Marble	Amazing Worldly Gray, Gray Online, Gray Ponder, Passive, Worldly Gray											
Blockout Sala	Argos White, Gray White, Passive White, Stone Harbor, Stormy Gray											
Translucent Standard	Antique Red, Bottle Of Bordeaux, Cotton, Fresh Brew, In The Navy, Poppyseed, Salamander, Silhouette, Silken Peacock, Stormy Sky											
Translucent Crepe Woven	Acacia Haze, Anthracite, Chocolate, Cornsilk A, Cotton, Espresso A, Fawn A, Fire Brick A, Gourmet Chocolate, Gray Moss, Light Aquamarine, Light Olive Green, Mink A, Navy, Plebian Blue, Royal Gray A, Sangria A, Stallion, Tumbleweed, Wild Ginger											
Translucent Lux-Linen	Chantilly Lace, Cotswold, Cotton, Hazy Skies, Royal Gray A, Taos Taupe											
Translucent Marble	Amazing Worldly Gray, Gray Online, Gray Ponder, Passive, Worldly Gray											
Translucent Sala	Argos White, Gray White, Passive White, Stone Harbour, Stormy Gray											
Translucent Sheer	Alabaster, Cocoa, Cotton, Gray Sheen											
Translucent Woodgrain	Accessible Beige, Amazing Gray, Gray Matters, Gray Screen, Tony Taupe											
Translucent Woodgrain Linen	Blanched Almond A, Coral Black, Dawn Gray, Light Walnut, Silver Gray											
Day Night Option Available												
Day Night Colours	Day Night Can Be Ordered With Any Combination Of The Same Cell Size Blockout & Translucent Colours.											

Blind Type		Cell-In-Cell Cellular												Double Cellular												
		Cell-In-Cell Cellular Blinds Are Available In 45mm Cell Size Only												Double Cellular Blinds Are Available In 38mm												
		Corded			Cordless			Clutch			Motorised			Corded			Cordless			Clutch			Motorised			
Operation Type		Corded Standard	Corded Day Night	Corded Top Down, Bottom Up	Cordless Standard	Cordless Day Night	Cordless Top Down, Bottom Up	Clutch Standard	Clutch Day Night	Clutch Top Down, Bottom Up	Motorised Standard	Motorised Day Night	Motorised Top Down, Bottom Up	Corded Standard	Corded Day Night	Corded Top Down, Bottom Up	Cordless Standard	Cordless Day Night	Cordless Top Down, Bottom Up	Clutch Standard	Clutch Day Night	Clutch Top Down, Bottom Up	Motorised Standard	Motorised Day Night	Motorised Top Down, Bottom Up	
Size		Blade Sizes																								
25mm																										
38mm																										
45mm																										
		Window Types																								
Standard																										
Side By Side																										
Corner A Butt																										
Corner A Thru																										
Corner B Butt																										
Corner B Thru																										
Bay A																										
Bay B																										
Bay C																										
		Blind Heights																								
Minimum Blind Height		25mm																								
Maximum Blind Height		25mm																								
Minimum Blind Height		38mm																								
Maximum Blind Height		38mm																								
Minimum Blind Height		45mm																								
Maximum Blind Height		45mm																								
		Maximum Total Square Metre's Per Blind																								
25mm Blind																										
38mm Blind														7.5m²	4.56m²	7.5m²	5.1m²	5.1m²	5.1m²	7.5m²	6.4m²	7.32m²	5m² Blockout 7m² Translucent	4.50m²	5.0m² Blockout 7.0m² Translucent	
45mm Blind		6.3m²	3.8m²	6.3m²	4.04m²	4.04m²	4.04m²	6.3m²	5.2m²	6.3m²	4.6m²	3.8m²	4.6m²	N/A	N/A	N/A	N/A	N/A	N/A	N/A	N/A	N/A	N/A	N/A	N/A	
		Blind Widths																								
Minimum Blind Width		200mm	450mm	450mm	250mm	550mm	550mm	300mm	570mm	570mm	710mm (Battery Pack, Rechargeable Battery, and USB-C)	850mm - 1000mm (Powered With Adapter)²	850mm - 1000mm (Powered With Adapter)²	200mm	450mm	450mm	250mm	550mm	550mm	300mm	570mm	570mm	710mm (Battery Pack or Rechargeable Lithium) 620mm (Powered With Adapter)	850mm - 1000mm (Powered With Adapter)²	850mm - 1000mm (Powered With Adapter)²	
Maximum Blind Width		3000mm	3000mm	3000mm	2400mm	2400mm	2400mm	3000mm	3000mm	3000mm	3000mm	3000mm	3000mm	3000mm	3000mm	3000mm	2400mm	2400mm	2400mm	3000mm	3000mm	3000mm	3000mm	3000mm	3000mm	
		Fitting Method																								
Face Fit																										
Recess Fit																										
		Head Rail/Fascia/Pelmet Options																								
Fascia/Pelmet Standard Or Option		Standard	Standard	Standard	Standard	Standard	Standard	Standard	Standard	Standard	Standard	Standard	Standard	Standard	Standard	Standard	Standard	Standard	Standard	Standard	Standard	Standard	Standard	Standard	Standard	
Colours		Matched To Blind Colour	Matched To Blind Colour	Matched To Blind Colour	Matched To Blind Colour	Matched To Blind Colour	Matched To Blind Colour	Matched To Blind Colour	Matched To Blind Colour	Matched To Blind Colour	Matched To Blind Colour	Matched To Blind Colour	Matched To Blind Colour	Matched To Blind Colour	Matched To Blind Colour	Matched To Blind Colour	Matched To Blind Colour	Matched To Blind Colour	Matched To Blind Colour	Matched To Blind Colour	Matched To Blind Colour	Matched To Blind Colour	Matched To Blind Colour	Matched To Blind Colour	Matched To Blind Colour	
Fabric Insert		x	x	x	x	x	x	x	x	x	x	x	x	x	x	x	x	x	x	x	x	x	x	x	x	
		Special Options Available																								
Door Cutouts																										
Multiple Blinds																										
Suitable For Wet Areas																										
Motorisation Information		<p>The Motorised Options are:</p> <p>Battery Operated Motor with Wand or Remote. Battery Operated Blinds use 8 x AA Batteries per Blind (batteries not included). These are not recommended for frequent use as the batteries may require regular changing. The batteries will need replacing according to the frequency of use and are not rechargeable. Motorised Battery options are not recommended for high window areas due to the requirements to change batteries.</p> <p>Rechargeable Lithium Battery Operated Motor With Power Adapter with Wand or Remote. These use a 240V Mains Plug and will require a power point/socket close to the blind when recharging the battery.</p> <p>Rechargeable USB-C Operated Motor with Wand & Remote. These use a USB-C cable that is plugged into the bottom of the Wand to be charged. USB-C to USB-C charging cable is supplied at 1.5m length. The plug for the socket will not be provided.</p> <p>Powered Operated Motor With Power Adapter (Hardwired Motor) with Wand or Remote. These use a 240V Mains Plug and will require a power point/socket close to the blind. The blinds will need a continuous power source to operate.</p>																								

Blind Type	Cell-In-Cell Cellular												Double Cellular											
	Cell-In-Cell Cellular Blinds Are Available In 45mm Cell Size Only												Double Cellular Blinds Are Available In 38mm											
Operation Type	Corded			Cordless			Clutch			Motorised			Corded			Cordless			Clutch			Motorised		
	Corded Standard	Corded Day Night	Corded Top Down, Bottom Up	Cordless Standard	Cordless Day Night	Cordless Top Down, Bottom Up	Clutch Standard	Clutch Day Night	Clutch Top Down, Bottom Up	Motorised Standard	Motorised Day Night	Motorised Top Down, Bottom Up	Corded Standard	Corded Day Night	Corded Top Down, Bottom Up	Cordless Standard	Cordless Day Night	Cordless Top Down, Bottom Up	Clutch Standard	Clutch Day Night	Clutch Top Down, Bottom Up	Motorised Standard	Motorised Day Night	Motorised Top Down, Bottom Up
Selling Features	Smaller Headbox Superior Insulation Ideal For Smaller Drops	Light Filtering & Blockout Configuration Smaller Headbox Superior Insulation Ideal For Smaller Drops	Increased Level Of Control & Privacy Smaller Headbox Superior Insulation Ideal For Smaller Drops	No Chains Or Cards Easy Operation Child Safe Superior Insulation	Light Filtering & Blockout Configuration No Chains Or Cards Easy Operation Child Safe Superior Insulation	Increased Level Of Control & Privacy No Chains Or Cards Easy Operation Child Safe Superior Insulation	Clutch Assisted Operation Superior Insulation	Light Filtering & Blockout Configuration Clutch Assisted Operation Superior Insulation	Increased Level Of Control & Privacy Clutch Assisted Operation Superior Insulation	Easy Operation Motorised Wand Control Or Remote No Chains Or Cards Child Safe Superior Insulation	Light Filtering & Blockout Configuration Easy Operation Motorised Wand Control Or Remote No Chains Or Cards Child Safe Superior Insulation	Increased Level Of Control & Privacy Easy Operation Motorised Wand Control Or Remote No Chains Or Cards Child Safe Superior Insulation	Smaller Headbox Increased Insulation Ideal For Smaller Drops	Light Filtering & Blockout Configuration Smaller Headbox Increased Insulation Ideal For Smaller Drops	Increased Level Of Control & Privacy Smaller Headbox Increased Insulation Ideal For Smaller Drops	No Chains Or Cards Easy Operation Child Safe Increased Insulation	Light Filtering & Blockout Configuration No Chains Or Cards Easy Operation Child Safe Increased Insulation	Increased Level Of Control & Privacy No Chains Or Cards Easy Operation Child Safe Increased Insulation	Clutch Assisted Operation Increased Insulation	Light Filtering & Blockout Configuration Clutch Assisted Operation Increased Insulation	Increased Level Of Control & Privacy Clutch Assisted Operation Increased Insulation	Easy Operation Motorised Wand Control Or Remote No Chains Or Cards Child Safe Insulation	Light Filtering & Blockout Configuration Easy Operation Motorised Wand Control Or Remote No Chains Or Cards Child Safe Insulation	Increased Level Of Control & Privacy Easy Operation Motorised Wand Control Or Remote No Chains Or Cards Child Safe Insulation
Advantages	✓	✓	✓	✓	✓	✓	✓	✓	✓	✓	✓	✓	✓	✓	✓	✓	✓	✓	✓	✓	✓	✓	✓	✓
Fabric Options	45mm Cell-In-Cell - Beige B, Black, Blue Wind, Classic Gray, Cotton, Gray Storms, Ivory A, Taupe B												38mm Double Cell - Alabaster, Cotton, Jean Blue											
Fabric Options	45mm Cell-In-Cell - Beige B, Black, Blue Wind, Classic Gray, Cotton, Gray Storms, Ivory A, Taupe B												38mm Double Cell - Agate Red, Alabaster, Avocado, Black, Cocoa, Cotton, Cream, Gray Sheen, Ironstone, Jean Blue, Musk, Pongee, Rosegate, Royal Purple, Sangria, Snow White, Stone Red, Sweetmint, Water Green, Wisteria											
Fabric Options	45mm Cell-In-Cell - Antique Pewter, Sticks & Stones												N/A											
Fabric Options	45mm Cell-In-Cell - Antique Pewter, Sticks & Stones												N/A											
Day Night Option Available	✓	✓	✓	✓	✓	✓	✓	✓	✓	✓	✓	✓	✓	✓	✓	✓	✓	✓	✓	✓	✓	✓	✓	✓
Day Night Colours	Day Night Can Be Ordered With Any Combination Of The Same Cell Size Blockout & Translucent Colours.																							

Product		Transition Blind																				
Blind Type		Multi Shade																Triple Shade				
Custom Made Blind Range		Privacy/Blockout Standard *	Privacy/Blockout Woven *	Semi Blockout Grain	Semi Blockout Textured	Privacy Textured	Privacy Lure	Privacy Grain	Privacy Textured Grain	Privacy Large	Privacy Natural	Jacquard Woven	Premium Blockout	Premium Blockout Woven	Premium Room Darkening	Premium Woven Room Darkening	Textured	Eco Friendly	Standard	Semi Blockout	Privacy Standard	Jacquard Woven
Window Types																						
Standard		✓	✓	✓	✓	✓	✓	✓	✓	✓	✓	✓	✓	✓	✓	✓	✓	✓	✓	✓	✓	✓
Side By Side		✓	✓	✓	✓	✓	✓	✓	✓	✓	✓	✓	✓	✓	✓	✓	✓	✓	✓	✓	✓	✓
Corner A Bolt		✓	✓	✓	✓	✓	✓	✓	✓	✓	✓	✓	✓	✓	✓	✓	✓	✓	✓	✓	✓	✓
Corner A Thru		✓	✓	✓	✓	✓	✓	✓	✓	✓	✓	✓	✓	✓	✓	✓	✓	✓	✓	✓	✓	✓
Corner B Bolt		✓	✓	✓	✓	✓	✓	✓	✓	✓	✓	✓	✓	✓	✓	✓	✓	✓	✓	✓	✓	✓
Corner B Thru		✓	✓	✓	✓	✓	✓	✓	✓	✓	✓	✓	✓	✓	✓	✓	✓	✓	✓	✓	✓	✓
Ree A		✓	✓	✓	✓	✓	✓	✓	✓	✓	✓	✓	✓	✓	✓	✓	✓	✓	✓	✓	✓	✓
Ree B		✓	✓	✓	✓	✓	✓	✓	✓	✓	✓	✓	✓	✓	✓	✓	✓	✓	✓	✓	✓	✓
Ree C		✓	✓	✓	✓	✓	✓	✓	✓	✓	✓	✓	✓	✓	✓	✓	✓	✓	✓	✓	✓	✓
Blind Heights																						
Minimum Blind Height	300mm	300mm	300mm	300mm	300mm	300mm	300mm	300mm	300mm	300mm	300mm	300mm	300mm	300mm	300mm	300mm	300mm	300mm	300mm	300mm	300mm	300mm
Maximum Blind Height	3000mm	3000mm	3000mm	3000mm	3000mm	3000mm	3000mm	3000mm	3000mm	3000mm	3000mm	3000mm	3000mm	3000mm	3000mm	3000mm	3000mm	3000mm	3000mm	3000mm	3000mm	3000mm
Blind Widths																						
Minimum Blind Width	130mm	130mm	130mm	130mm	130mm	130mm	130mm	130mm	130mm	130mm	130mm	130mm	130mm	130mm	130mm	130mm	130mm	130mm	130mm	130mm	130mm	130mm
Maximum Minimum Blind Width	330mm	330mm	330mm	330mm	330mm	330mm	330mm	330mm	330mm	330mm	330mm	330mm	330mm	330mm	330mm	330mm	330mm	330mm	330mm	330mm	330mm	330mm
Maximum Blind Width	2950mm	2950mm	2950mm	2950mm	2950mm	2950mm	2950mm	2950mm	2950mm	2950mm	2950mm	2950mm	2950mm	2950mm	2950mm	2950mm	2950mm	2950mm	2950mm	2950mm	2950mm	2950mm
Maximum Window Width For Single Blind Option	2950mm	2950mm	2950mm	2950mm	2950mm	2950mm	2950mm	2950mm	2950mm	2950mm	2950mm	2950mm	2950mm	2950mm	2950mm	2950mm	2950mm	2950mm	2950mm	2950mm	2950mm	2950mm
Fitting Method																						
Face Fit		✓	✓	✓	✓	✓	✓	✓	✓	✓	✓	✓	✓	✓	✓	✓	✓	✓	✓	✓	✓	✓
Recess Fit		✓	✓	✓	✓	✓	✓	✓	✓	✓	✓	✓	✓	✓	✓	✓	✓	✓	✓	✓	✓	✓
Head Rail Options																						
Brige	Colour	✓	✓	✓	✓	✓	✓	✓	✓	✓	✓	✓	✓	✓	✓	✓	✓	✓	✓	✓	✓	✓
Black		✓	✓	✓	✓	✓	✓	✓	✓	✓	✓	✓	✓	✓	✓	✓	✓	✓	✓	✓	✓	✓
Dark Brown		✓	✓	✓	✓	✓	✓	✓	✓	✓	✓	✓	✓	✓	✓	✓	✓	✓	✓	✓	✓	✓
Grey		✓	✓	✓	✓	✓	✓	✓	✓	✓	✓	✓	✓	✓	✓	✓	✓	✓	✓	✓	✓	✓
Ivory		✓	✓	✓	✓	✓	✓	✓	✓	✓	✓	✓	✓	✓	✓	✓	✓	✓	✓	✓	✓	✓
Light Brown		✓	✓	✓	✓	✓	✓	✓	✓	✓	✓	✓	✓	✓	✓	✓	✓	✓	✓	✓	✓	✓
White	✓	✓	✓	✓	✓	✓	✓	✓	✓	✓	✓	✓	✓	✓	✓	✓	✓	✓	✓	✓	✓	✓
Fabric Insert Option		✓	✓	✓	✓	✓	✓	✓	✓	✓	✓	✓	✓	✓	✓	✓	✓	✓	✓	✓	✓	✓
Bottom Rail Options																						
Bottom Rail Type		Trapezium Profile	Trapezium Profile	Trapezium Profile	Trapezium Profile	Trapezium Profile	Trapezium Profile	Trapezium Profile	Trapezium Profile	Trapezium Profile	Square Profile With Fabric Insert	Trapezium Profile	Trapezium Profile	Trapezium Profile	Trapezium Profile	Trapezium Profile	Trapezium Profile	Trapezium Profile	Trapezium Profile	Shuttle Dial Profile	Shuttle Dial Profile	Shuttle Dial Profile
Brige	Colour	✓	✓	✓	✓	✓	✓	✓	✓	✓	✓	✓	✓	✓	✓	✓	✓	✓	✓	✓	✓	✓
Black		✓	✓	✓	✓	✓	✓	✓	✓	✓	✓	✓	✓	✓	✓	✓	✓	✓	✓	✓	✓	✓
Dark Brown		✓	✓	✓	✓	✓	✓	✓	✓	✓	✓	✓	✓	✓	✓	✓	✓	✓	✓	✓	✓	✓
Grey		✓	✓	✓	✓	✓	✓	✓	✓	✓	✓	✓	✓	✓	✓	✓	✓	✓	✓	✓	✓	✓
Ivory		✓	✓	✓	✓	✓	✓	✓	✓	✓	✓	✓	✓	✓	✓	✓	✓	✓	✓	✓	✓	✓
Light Brown		✓	✓	✓	✓	✓	✓	✓	✓	✓	✓	✓	✓	✓	✓	✓	✓	✓	✓	✓	✓	✓
White	✓	✓	✓	✓	✓	✓	✓	✓	✓	✓	✓	✓	✓	✓	✓	✓	✓	✓	✓	✓	✓	✓
Special Options Available																						
Clear Controls		✓	✓	✓	✓	✓	✓	✓	✓	✓	✓	✓	✓	✓	✓	✓	✓	✓	✓	✓	✓	✓
Motorisation		✓	✓	✓	✓	✓	✓	✓	✓	✓	✓	✓	✓	✓	✓	✓	✓	✓	✓	✓	✓	✓
Multiple Blinds		✓	✓	✓	✓	✓	✓	✓	✓	✓	✓	✓	✓	✓	✓	✓	✓	✓	✓	✓	✓	✓
Notes	* Previously called Blockout Standard, now called Privacy Standard. † Previously called Blockout Woven, now called Privacy Woven. * Side By Side Transition Blinds will be made with manufacturing tolerances. † Motorisation is available with a 2 channel remote, or 2, 3 and 23 channels by special request.																					

Transition Blind																						
Product	Multi Shade																Triple Shade					
Blind Type	Multi Shade																Triple Shade					
Custom Made Blind Range	Privacy/Blockout Standard	Privacy/Blockout Woven	Semi Blockout Grain	Semi Blockout Textured	Privacy Textured	Privacy Luxe	Privacy Grain	Privacy Textured Grain	Privacy Large	Privacy Natural	Jacquard Weave	Premium Blockout	Premium Blockout Woven	Premium Room Darkening	Premium Woven Room Darkening	Textured	Eco Friendly	Standard	Semi Blockout	Privacy Standard	Jacquard Weave	
Selling Features	Excellent Light & Privacy Control Compact & Neat Window Covering Blockout Fabric Reduce Heat & Glare	Excellent Light & Privacy Control Compact & Neat Window Covering Blockout Fabric Woven Pattern Reduce Heat & Glare	Excellent Light & Privacy Control Compact & Neat Window Covering Semi Blockout Fabric Grain Pattern	Excellent Light & Privacy Control Compact & Neat Window Covering Semi Blockout Fabric Textured Pattern	Excellent Light & Privacy Control Compact & Neat Window Covering Blockout Fabric Textured Pattern Reduce Heat & Glare	Excellent Light & Privacy Control Compact & Neat Window Covering Blockout Fabric Moor Pattern Reduce Heat & Glare	Excellent Light & Privacy Control Compact & Neat Window Covering Blockout Fabric Grain Pattern Reduce Heat & Glare	Excellent Light & Privacy Control Compact & Neat Window Covering Blockout Fabric Textured Grain Pattern Reduce Heat & Glare	Excellent Light & Privacy Control Compact & Neat Window Covering Blockout Fabric Reduce Heat & Glare	Excellent Light & Privacy Control Compact & Neat Window Covering Blockout Fabric Reduce Heat & Glare	Excellent Light & Privacy Control Compact & Neat Window Covering Blockout Fabric Reduce Heat & Glare	Excellent Light & Privacy Control Compact & Neat Window Covering Weave Fabric	Excellent Light & Privacy Control Compact & Neat Window Covering Blockout Fabric Reduce Heat & Glare	Excellent Light & Privacy Control Compact & Neat Window Covering Blockout Fabric Woven Pattern Reduce Heat & Glare	Excellent Light & Privacy Control Compact & Neat Window Covering Room Darkening Fabric Reduce Heat & Glare	Excellent Light & Privacy Control Compact & Neat Window Covering Room Darkening Fabric Woven Pattern Reduce Heat & Glare	Excellent Light & Privacy Control Compact & Neat Window Covering Largest Range Of Colour Options Textured Pattern	Excellent Light & Privacy Control Compact & Neat Window Covering Reduce Heat & Glare Made From 87% Recycled Yarn Content	Maintain Privacy While Allowing Light	Maintain Privacy While Allowing Light	Maintain Privacy While Allowing Light	Maintain Privacy While Allowing Light
Fabric Material Properties																						
Finish	Blockout Standard	Blockout Woven	Semi Blockout Grain	Semi Blockout Textured	Privacy Textured	Privacy Luxe	Privacy Grain	Privacy Textured Grain	Privacy Large	Privacy Natural	Jacquard Weave	Premium Blockout	Blockout Woven	Premium Room Darkening	Premium Woven Room Darkening	Textured	Eco Friendly	Standard	Semi Blockout	Privacy Standard	Jacquard Weave	
Composition	100% Polyester	100% Polyester	100% Polyester	100% Polyester	100% Polyester	100% Polyester	100% Polyester	100% Polyester	100% Polyester	100% Polyester	100% Polyester	100% Polyester	100% Polyester	100% Polyester	100% Polyester	100% Polyester	100% Polyester (87% Recycled Yarn Content)	70% Polyester & 30% RM	100% Polyester	100% Polyester	100% Polyester	
Colour Fastness	7 to 8	6 to 8	6 to 7	6 to 7	6 to 7	6 to 7	6 to 7	6 to 7	6 to 7	6 to 7	6 to 8	6 to 7	7 to 8	6 to 7	6 to 7	7 to 8	4 to 5	7 to 8	7 to 8	7 to 8	7 to 8	
Fabric Weight Per m	163g (+/- 5%)	227g (+/- 5%)	173g (+/- 5%)	109g (+/- 5%)	172g (+/- 5%)	220g (+/- 5%)	184g (+/- 5%)	291g (+/- 5%)	200g (+/- 5%)	261g (+/- 5%)	132g (+/- 5%)	191g (+/- 5%)	172g (+/- 5%)	140g (+/- 5%)	140g (+/- 5%)	120g (+/- 5%)	118g (+/- 5%)	207g (+/- 5%)	209g (+/- 5%)	470g (+/- 5%)	211g (+/- 5%)	
Advantages																						
Insulative Properties <small>Keeps Rooms Darker in Summer & Warmer in Winter</small>	✓	✓	✓	✓	✓	✓	✓	✓	✓	✓	✓	✓	✓	✓	✓	✓	✓	✓	✓	✓	✓	
Fade Retardant	✗	✗	✗	✗	✗	✗	✗	✗	✗	✗	✗	✗	✗	✗	✗	✗	✗	✗	✗	✗	✗	
Dust Resistant	✓	✓	✓	✓	✓	✓	✓	✓	✓	✓	✓	✓	✓	✓	✓	✓	✓	✓	✓	✓	✓	
Mould Resistant	✓	✓	✓	✓	✓	✓	✓	✓	✓	✓	✓	✓	✓	✓	✓	✓	✓	✓	✓	✓	✓	
Repels Moisture	✓	✓	✓	✓	✓	✓	✓	✓	✓	✓	✓	✓	✓	✓	✓	✓	✓	✓	✓	✓	✓	
Colours																						
Colour	Almond BL902 Bark BL912 Chalk BL901 Ginger BL905 Iron Ore BL904 Mediterranean BL913 Musk BL903 Olive BL907 Steel BL911	Bonnie BL1007 Bracken BL1008 Cherrywood BL1011 Fossil BL1001 Mercury BL1005 Meringue BL1001 Onyx BL1012 Sorbet BL1004 Spun Sugar BL1002 Thistle BL1005 Walnut BL1010	Cloud BL4801 Dove BL4802 Hazy BL4805 Iron BL4806 Leather BL1311 Out BL4803 Storm BL4804	Ashen BL1207 Bone BL1204 Chiffon BL1206 Cream BL1203 Daisy BL1201 Hazel BL1205 Leather BL1311 Ocean BL1209 Pine BL1202 Royal BL1210 Smoky BL1208	Coffee BL1505 Copper BL1504 Lace BL1502 Linen BL1503 Porcelain BL1501 Shadow BL1506	Chestnut BK304 Chromium BK301 Coal BK303 Light Slate BK302	Biscuit BL1802 Bright Silver BL1801 Honey BL1803 Jazz Black BL1808 Seal BL1805 Spruce BL1806 Steel Blue BL1807 Steel Grey BL1804	Amber Gold BK104 Brass BK106 Dark Cedar BK108 Fudge BK107 Hazelnut BK105 Light Cream BK103 Raven BK109 Smoke White BK110 Spring BK101	Blonde BL4602 Dust BL4604 Frost BL4601 Pebble BL4611 Snow BL4600	Charcoal Grey BK207 Chrome Grey BK204 Classic Silver BK202 Cobble BK205 Dark Brown BK206 Elephant Grey BK203 Intense Black BK208 Pearl Grey BK201	Cappuccino LV105 Maple LV104 Polar LV101 Rhinestone LV103 Slate LV107 Soot LV106 Straw LV102	Champagne BL3004 Dark Pebble BL3007 Dark BL3005 Oak BL3006 Onyx BL3003 Silver BL3001 Warm Grey BL3002	Cold Metal BL2004 Desert Sand BL2003 Espresso BL2008 Honeycomb BL2006 Latte BL2002 Natural BL2001 Slate BL2005 Walnut BL2007	Chocolate BL112 Cotton BL101 Grey BL107 Macadamia BL102 Metal BL108 Sand BL103 Taupe BL110	Ash BL112 Autumn BK05 Haze BL114 Ivory BK01 Light Bark BK04 Marshmallow BL111 Mocha BK06 Peacock BK03 Safari BL113 Sandstone BK02 Storm BL115	Frosted GR101 Caramel GR102 Stormy Grey GR103	Blue Lagoon SK007 Chocolate SK11 Desert SK05 Eggshell SK03 Ghost White SK01 Popcorn Corn SK02 Purple SK09 Titanium SK06	Beige SP102 Leaf SP103 Powder SP101 Umber SP104	Buttermilk SP1002 Pearl SP1001 Pewter SP1003 Wood SP1004	Cedar SK106 Coconut SK101 Fawn SK103 Graphite SK105 Hazelnut SK102 Soft Grey SK104		

Blind Type	ClimaCell		
	Chain Control	Cordless	Motorised ¹
Ranges	Window Types		
Chester Opaque	✓	✓	✓
Chester Semi-Opaque	✓	✓	✓
Cumbria Opaque	✓	✓	✓
Cumbria Semi-Opaque	✓	✓	✓
Oxfordshire Opaque	✓	✓	✓
Oxfordshire Semi-Opaque	✓	✓	✓
Richmond Opaque	✓	✓	✓
Richmond Semi-Opaque	✓	✓	✓
Somerset Opaque	✓	✓	✓
Somerset Semi-Opaque	✓	✓	✓
Suffolk Opaque	✓	✓	✓
Suffolk Semi-Opaque	✓	✓	✓
	Blind Heights		
Minimum Blind Height	300mm	450mm	400mm
Maximum Blind Height	3000mm	2200mm	3000mm
	Blind Widths		
Minimum Blind Width	300mm	480mm	635mm
Maximum Blind Width	3000mm	3000mm	3000mm
	Fitting Method		
Face Fit	✓	✓	✓
Recess Fit	✓	✓	✓
	Cassette Options		
Cassette Standard Or Option ²	Option	Option	N/A
Colours	Matched To Blind Colour	Matched To Blind Colour	N/A
	Special Options Available		
Door Cutouts	✗	✗	✗
Multiple Blinds	✓	✓	✓
Suitable For Wet Areas	✗	✗	✗
Notes	¹ Motorised ClimaCell blinds are only available as rechargeable battery-operated and will require a USB-C cable to charge. The USB-C cable is not supplied with the ClimaCell. ² Surcharges apply		

Custom Made ClimaCell Range Reference Chart V25

Blind Type	ClimaCell		
	Chain Control	Cordless	Motorised
	Selling Features		
Selling Features	Ideal For Smaller Drops	Easy Operation No Chains Or Cords Child Safe Telescopic Pole Available for Hard to Reach Areas	Easy Operation No Chains Or Cords Child Safe Motorised With App Or Remote Control
	Advantages		
Child Safe	*	✓	✓
	Fabric Options		
Chester Opaque	Avocado, Black, Cloud C, Cocoa, Cotton, Cream, Garden Stone, Gentle Gray, Gray Sheen, Jean Blue, Pale Gray, Pink Flamingo, Pongee, Simply White, Sticks & Stones, Stone, White Dove, Winter White		
Chester Semi-Opaque	Avocado, Black, Cloud C, Cocoa, Cotton, Cream, Garden Stone, Gentle Gray, Gray Sheen, Jean Blue, Pale Gray, Pink Flamingo, Pongee, Simply White, Sticks & Stones, Stone, White Dove, Winter White		
Cumbria Opaque	Dark Chocolate, Passive White, Pier, Polished Pewter, Pongee, Royal Gray		
Cumbria Semi-Opaque	Dark Chocolate, Passive White, Pier, Polished Pewter, Pongee, Royal Gray		
Oxfordshire Opaque	Accessible Beige, Amazing Gray, Gray Matters, Ironstone, Pale Gray, Pongee		
Oxfordshire Semi-Opaque	Accessible Beige, Amazing Gray, Gray Matters, Ironstone, Pale Gray, Pongee		
Richmond Opaque	Cocoa, Dark Gray B, Gray Sheen, Sticks & Stones, Stone, Winter White		
Richmond Semi-Opaque	Cocoa, Dark Gray B, Gray Sheen, Sticks & Stones, Stone, Winter White		
Somerset Opaque	Black, Gray White, Passive White, Stone Harbor, Vapor Gray, Winter White		
Somerset Semi-Opaque	Black, Gray White, Passive White, Stone Harbor, Vapor Gray, Winter White		
Suffolk Opaque	Federal Blue, Gentire Gray, Pink Flamingo, Pongee, Royal Purple, Water Green		
Suffolk Semi-Opaque	Federal Blue, Gentire Gray, Pink Flamingo, Pongee, Royal Purple, Water Green		

Product	Roma Shade			
Custom Made Blind Range	Prati (Semi - Opaque)	Termini (Semi - Opaque)	Monti (Opaque)	Tridente (Opaque)
	Window Types			
Standard	✓	✓	✓	✓
Side By Side	✓	✓	✓	✓
Corner A Butt	x	x	x	x
Corner A Thru	x	x	x	x
Corner B Butt	x	x	x	x
Corner B Thru	x	x	x	x
Bay A	x	x	x	x
Bay B	x	x	x	x
Bay C	x	x	x	x
	Blind Heights			
Minimum Blind Height	250mm	250mm	250mm	250mm
Maximum Blind Height	3000mm	3000mm	3000mm	3000mm
	Blind Widths			
Minimum Blind Width	400mm	400mm	400mm	400mm
Motorised Minimum Blind Width	550mm	550mm	550mm	550mm
Maximum Blind Width	3000mm	3000mm	3000mm	3000mm
	Blind Widths			
Face Fit	✓	✓	✓	✓
Recess Fit	✓	✓	✓	✓
	Special Options Available			
Door Cutouts	x	x	x	x
Motorisation	✓	✓	✓	✓
Multiple Blinds	✓	✓	✓	✓
Notes	<p>Motorisation is available with 1, 2, 5 or 15 channel remotes in white. The track, bottom rail and accessories are only available in white. Chain colours available in Beige, Black, Dark Coffee, Grey, Khaki, Light Coffee, White and Stainless Steel (surcharges apply for Stainless Steel)</p>			

Custom Made Roma Shade Range Reference Chart V25

Product	Roma Shade			
Custom Made Blind Range	Prati (Semi - Opaque)	Termini (Semi - Opaque)	Monti (Opaque)	Tridente (Opaque)
Selling Features	Chain Control for optimal control of light Easy Installations Head Rail and Bottom Rail wrapped in blind fabric for seamless finish Variety of chain control colours Motorisation available for modern convenience	Chain Control for optimum control of light Easy Installations Head Rail and Bottom Rail wrapped in blind fabric for seamless finish Variety of chain control colours Motorisation available for modern convenience	Thicker fabric for increased privacy Chain Control for optimum control of light Easy Installations Head Rail and Bottom Rail wrapped in blind fabric for seamless finish Variety of chain control colours Motorisation available for modern convenience	Thicker fabric for increased privacy Chain Control for optimum control of light Easy Installations Head Rail and Bottom Rail wrapped in blind fabric for seamless finish Variety of chain control colours Motorisation available for modern convenience
Fabric Material Properties				
Finish	Semi-Blockout Woven	Textured	Semi-Blockout Grain	Woven
Composition	100% Polyester	100% Polyester	100% Polyester	100% Polyester
Colour Fastness	≥6	≥6	≥6	≥6
Fabric Weight Per m ²	280g (+/- 5%)	162g (+/- 5%)	89g (+/- 5%)	285g (+/- 5%)
Advantages				
Insulative Properties <i>Keeps Homes Both Cooler In Summer & Warmer In Winter</i>	✓	✓	✓	✓
Fade Retardant	✗	✗	✗	✗
Dust Resistant	✓	✓	✓	✓
Mould Resistant	✓	✓	✓	✓
Repels Moisture	✓	✓	✓	✓
Colour Range				
Colour	Dark Grey Light Grey Monte Grappa White Sand White	Dark Grey Light Grey Mont Blanc White Night Sand Soft Sand	Grey Sand Trullo White	Dark Grey Light Grey Mount Etna White Night Sand Trullo