



PACIFIC
WHOLESALE DISTRIBUTORS

Custom Made Blinds Manual Internal Applications

**Venetians
Cellulars
Transitions**

June 2023

Version 2023.6

T +61 2 9680 7999 | F +61 2 9680 7488

E support@pacificwholesale.com.au | W www.pacificwholesale.com.au

TERMS AND CONDITIONS OF TRADING

Effective: 15 August 2022

Payment Terms

Strictly net 30 days, if there is a problem with payment, please contact us.

Pacific Wholesale Distributors reserve the right to:

1. Refuse delivery to any overdue account.
2. Charge interest on overdue accounts.
3. Refuse credit.

Delivery Terms/Freight

Sydney Metropolitan \$56.69 – Order value below \$1,000

Regional & Interstate \$85.04 – Order value below \$1,000

Orders that exceed these values will be Free into Store (FIS).

The additional freight charges are below;

Charge Type	Details
Tail Gate <i>Delivery to a site where there is no forklift, and pallets or other heavy consignments requires the use of a tail gate/tilt lift truck</i>	\$97.00 includes up to 2 pallets \$49.00 per additional pallet thereafter
Hand/Manual Unload <i>Delivery to a site where there is no forklift, and the consignment needs to be unloaded by hand</i>	\$74.00 per pallet or large loose item
Rejected/Futile/Un-Deliverable Delivery <i>When a consignment cannot be delivered due to the receiver being unavailable or the consignment is refused by the receiver</i>	\$92.00 includes up to 2 pallets \$46.00 per additional pallet thereafter
Waiting Time	\$69.00 after the first 30 minutes
Time Slot/Delivery Time Restriction Fee <i>When a consignment requires; A date/timeslot to be booked or a specific delivery day/time window Delivery before 2:30pm</i>	\$52.00 per consignment
Over Length Surcharge – Over 3.7m Long	\$144.00 per consignment <i>Only applies when the order value is less than \$2,000 Ex GST</i>
Residential Delivery	\$114.00 per pallet or large loose item
Post Bag	\$17.01
Overnight Express Post Bag	\$28.35

GST

GST is charged on all items at a rate of 10%.

All prices quoted in this product catalogue or additional prices **do not include GST**.

Claims

1. All credit claims must be in writing, including the relevant invoice numbers.
2. Claims must be submitted within 7 days of receipt of goods.
3. Goods may not be returned for credit without prior authorisation.
4. Pacific Wholesale Distributors will only replace faulty stock and will accept no further liability.
5. All returns are subject to a 20% re-stocking fee.

Title

Property title in all goods remains with Pacific Wholesale Distributors until the goods are paid for in full.

PRICES ARE SUBJECT TO CHANGE WITHOUT NOTICE

Contents

1.	Introduction	3
2.	Custom Made Blinds	4
3.	Custom Made Venetian Blinds	5
4.	Custom Made Cellular Blinds.....	100
5.	Custom Made Transition Shades	277
6.	Measuring	344
7.	Ordering Process	366
8.	Special Requirement Windows & Options	29
9.	Sales Aids	34
10.	Custom Made Blinds Remake Process	366
11.	Care and Maintenance	377
12.	Custom Made Blinds Questions & Answers	39
13.	Custom Made Blinds Reference Chart	400

1. Introduction

The Custom Made Blinds Range offers an extensive range of window furnishing options to suit any application, with a wide range of product, material, and colour choices.

Elegant and stylish Custom Made Blinds will add value to a home and will enhance the living spaces. The vast range of Custom Made Blinds ensures an easy solution for all applications. With the added advantage of being energy efficient too, which helps to keep homes cooler in summer and warmer in winter.

Supporting this great range are swatches and sales aids that can be used by all sales and showroom staff when promoting the Custom Made Blind range, please refer to [Sales Aids](#).



2. Custom Made Blinds

What are Custom Made Blinds?

- Custom Made Blinds offer a range of solutions for window coverings.
- Custom Made Blinds have been designed to be aesthetically pleasing following the latest trends and colours.
- Custom Made Blinds are made to your specifications to ensure a perfect fit for every application.
- Custom Made Blinds come with safety devices to comply with Australian Child Safety Standards.

Custom Made Blinds Range:

All Custom Made Blinds offer the above advantages with specific features according to the product types as follows:

- ✓ Venetian Blinds
 - 50mm and 63mm Venetians
 - 50mm and 63mm PS Privacy Venetians

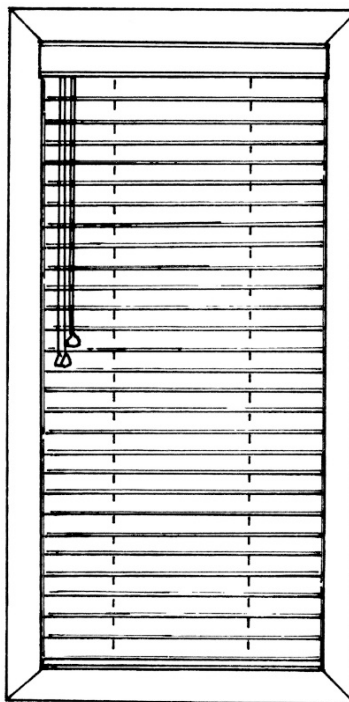
- ✓ Cellular Blinds
 - 25mm Single Cell
 - 38mm Single and Double Cell
 - 45mm Single Cell
 - 45mm Cell-In-Cell

- ✓ Transition Shades
 - Multi Shades
 - Triple Shades

3. Custom Made Venetian Blinds

3.1 50mm & 63mm PS Venetian Blinds

- The 50mm and 60mm PS Venetian Blind slats are manufactured from compressed polystyrene; this has been tested to withstand temperatures of up to 75 Degrees. (*PS Slat withstands much higher temperatures than PVC*).
- The 50mm and 63mm PS Venetian Blind uses a 51.5mm x 57.5mm roll formed steel painted head rail. The end mounts and centre brackets are made of steel to provide strength, and are painted to match the colour of the head rail.
- 2.2mm non-stretch cord is provided for slat rotation.
- Slat tilting is controlled by a solid cast body wand tilter with a strong metal tilt drive insert. A metal bodied cord lock is also used to ensure product longevity.
- PS slats are water resistant making them ideal for wet areas, and are also resistant to chipping and cracking.
- To ensure privacy, the PS Venetian Blind is manufactured using a 42mm pitched ladder braid, which creates a generous overlap of the slats when the blind is closed.
- Ladder braid, plastic components have all been colour matched to the slat.
- An 85mm decorative fascia with concealed metal mounting clips is standard with PS Venetian blinds.
- A trapezoid bottom rail provides improved closure.
- Clear polycarbonate hold-down clips are provided as an option, to stabilise the bottom rail in the window.

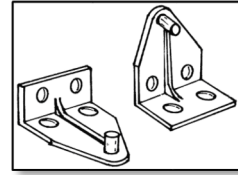


For details on the Colours for Venetians slat/blades, please refer to the [Custom Made Blind Reference Chart](#)

3.2 50mm & 63mm PS Venetian Blinds Options & Parts

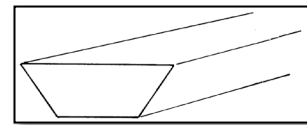
Hold Down Clips

- Holds down clips made from reinforced polycarbonate plastic and are optional at no extra cost.
- Holds down clips are an ideal option for venetian blinds that are used on doors and windows which can be opened. They will help prevent the blinds from swinging due to the wind.



Bottom Rails

- All PS and Privacy venetians blinds have a unique trapezoid shaped bottom rail which assists with smoother tilting and closing operation.

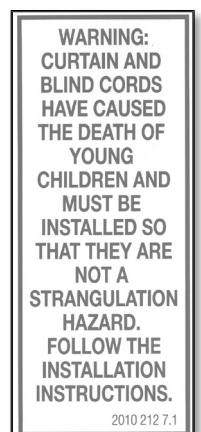
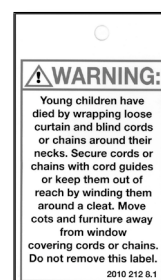
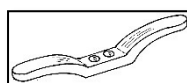
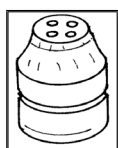


Fascia

- A standard 85mm decorative fascia is supplied with PS and PS Privacy venetian blinds. These come with concealed metal mounting clips.
- Common fascia's are also available when installing two or more blinds together in the same opening.
- The maximum length for a single fascia is 2700mm. Fascias longer than 2700mm will be supplied as separate pieces, which can be connected with a metal joiner supplied.

Safety Features

- All venetian blinds will have a colour matched plastic breakaway safety tassel as part of lift cord system. This safety tassel is designed to break apart to stop a loop from forming which is a strangulation hazard. This complies with Child Safety Regulations.
- All Venetian blinds are supplied with clear polycarbonate cord cleats to tie off the cord when the blinds are raised.
- Warning labels are also attached to the blinds to alert consumers to the possible risks in the blind operation. This complies with Child Safety Regulations.
- The installer is required by law to ensure all safety devices are installed correctly and they must also attach a signed sticker or tag as per "Fitter Requirements" by law.



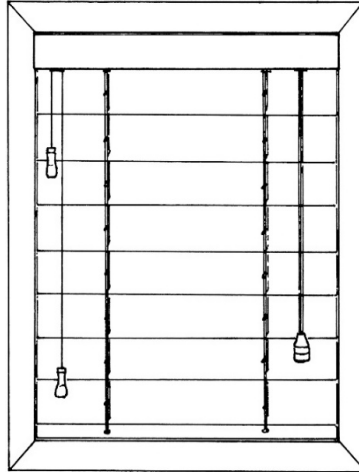
3.3 50mm & 63mm PS Venetian Blinds Stack Heights

Below are the standard stack heights for each blind drop.

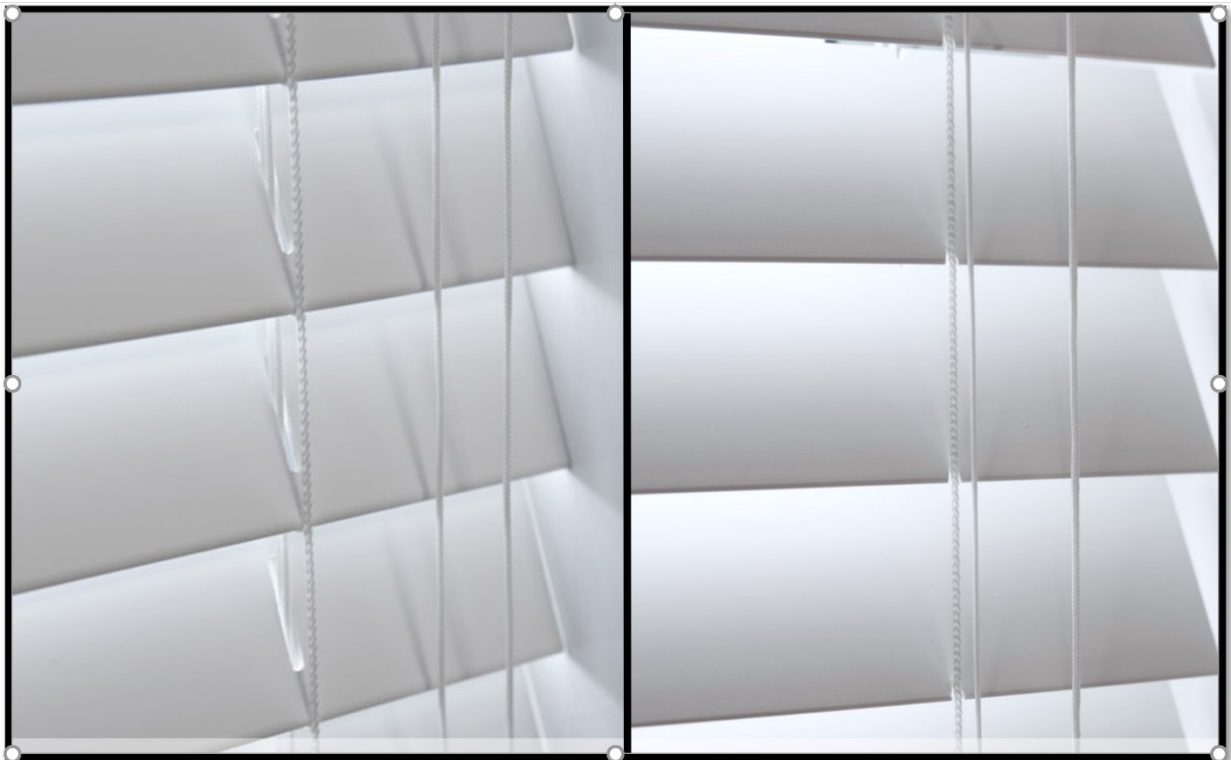
Blind Drop	Stack Height
500mm	104mm
1000mm	144mm
1500mm	184mm
2000mm	224mm
2500mm	264mm
3000mm	304mm

3.4 50mm & 63mm PS Privacy Venetian Blinds

- The 50mm and 63mm PS Privacy Blind offers all the benefits of the 50mm and 63mm PS Venetian blind range.
- The 50mm and 63mm PS Privacy Blind has no punch holes in the slat, and the ladder runs on the outer edge of the slats. This design provides greater privacy and light filtering to the standard PS Venetian Blinds.



STANDARD VENETIAN BLIND compared to PRIVACY VENETIAN BLIND



For details on the Colours for Venetians slat/blades, please refer to the [Custom Made Blind Reference Chart](#)

3.5 Selling Tips

- Venetian Blinds are ideal in a situation where windows are left open to allow ventilation, as they provide control over light and privacy, without damage to the blind. They wipe clean and are stable in a breeze with hold-downs.
- Always check that there is a position where cords can be tied off for Child Safety.
- In the reveal, minimum depth required is 60mm (65 for 63mm blade) plus 12-15mm for the Fascia.
- If space is tight, the fascia can be ordered longer to either fit into the quirk, or with returns, to be installed as semi-reveal.
- Venetian Blinds will not achieve total light block out, especially tall/large blinds. The longer the blind, the more light will seep in, when closed.
- Venetian Blinds close better one way – usually down.
- They are not made to be stacked every day. They should be pulled up to a stacked position and released again every 2 months or so, as regular maintenance.
- Avoid ordering single blinds that exceed approx. 4m². Large blinds place stress on the mechanisms and on the operator as they are heavy. All large blinds should be supported when raised or lowered.
- Small blinds may have lift cords on the opposite side of the head rail from the tilt cords.
- PS contains stabilisers, however over a period of exposure, PS may discolour in direct sunlight.
- Venetian Blinds are better if installed in a reveal aesthetically and as components are covered, therefore not as exposed to dust, salt air, atmospheric moisture and toxins.
- 63mm Venetian Blinds can give the appearance of a shutter from outside the home, which is a good option where the budget is tight.

4. Custom Made Cellular Blinds

4.1 Features and Benefits

Style

Cellular Blinds have a modern clean-lines aesthetic, offering a fashionable look which will compliment most décor styles. Aesthetic highlights include:

- A wide range of colours and textures to choose from, across various levels of light control, three cell sizes and single cell, double cell and Cell-In-Cell options.
- Minimal stacking heights, looking neat and maximizing light into the room when stacked
- Head Rail, Mid-rail (for TDBU and Day/Night) and Bottom Rails are powder coated to match each other. No fabric inserts are used.
- Default powder coated rails and cords are matched within a shade or two of blind fabric colour.
- Rail colours as an alternative to Default may be specified.
- All wands and safety devices are transparent.
- White backing on all fabrics, conforms to common Body Corporate rules for white window furnishings facing the exterior of buildings. While allowing occupiers to enjoy their preference of blind colour. Alternatively, fabric can be reversed so that White fabric is on the face and chosen colour is on the back (towards the glass).
- Motorised Blind options include Power Supply; Control Type and Configuration.
- Cellular Blinds and Remotes conform to Child Safety Regulations

Function

- Superior insulation, both for heat/cold (refer to following section), light and sound. Benefits of energy cost savings, environmental sustainability and multi-faceted comfort for the consumer
- Four operating control choices, to suit openings, lifestyle and budget
- Flexible ventilation and privacy control, in particular the Top Down Bottom Up option
- Translucent (Semi Opaque) or Block-out (Opaque) options
- Block-out fabrics are light blocking. Gaps between reveal and blind are small allowing only minimal light leakage, therefore these blinds are considered to be Room Darkening.
- Ability to fit into tight reveal depths, as they are available in 25mm, 38mm or 45mm options
- Accommodate both small (minimum 200mm x 200mm) and large (maximum 3000mm x 3600mm) openings. Sizes vary according to control option and cell size
- 100% Polyester is easy to clean

For details on textures and colours for Cellular Blinds please refer to the [Custom Made Blind Reference Chart](#)

4.2 Sustainability and R Value

Increasingly, informed consumers are shopping for window furnishings that deliver energy savings in addition to aesthetics and functionality. Energy is saved when temperature transfer is minimised, be it hot or cold, between the outside and inside of buildings.

R and its metric version RSI value, describe how effective a material is at resisting heat flow by conduction. **The higher the R Value, the slower the rate of heat/cold transfer through the material, therefore the better the insulation property, and the higher the energy saving.** Glass for example, has a low R-Value.

It is widely accepted and proven that well fitted Cellular blinds are very effective at reducing heat/cold transfer. This is because air pockets are very efficient insulators. Performance is improved both when the Cell is larger and when the number of layers and pockets of air created are increased. This is verified by the R values of OPC Cellular blinds in the following chart.

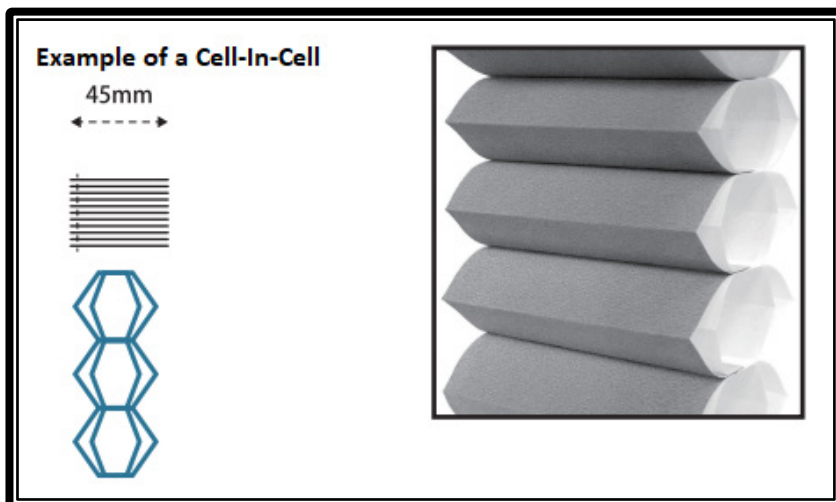
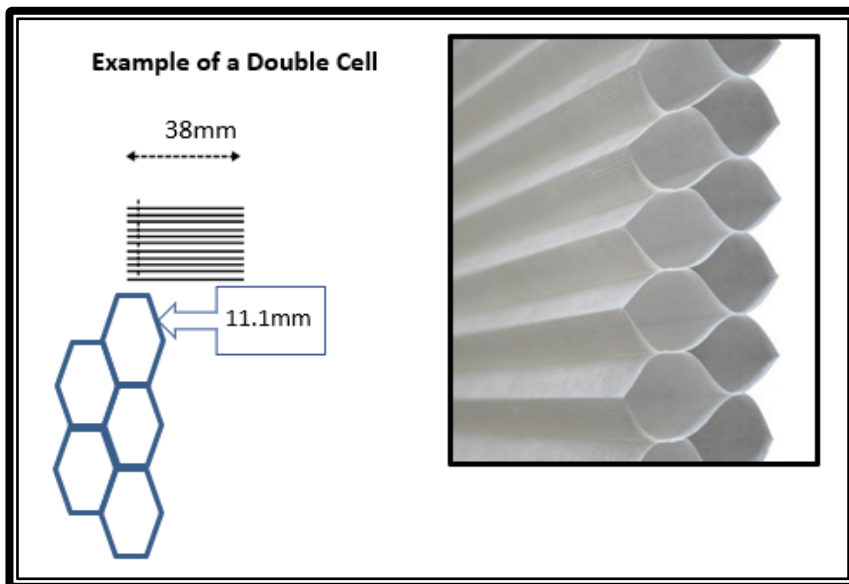
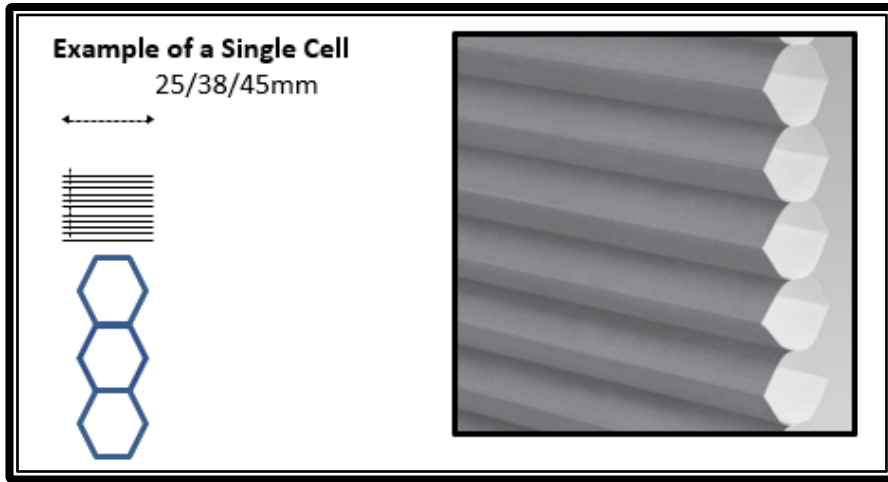
CELL SIZE	FABRIC	RSI Value (m2K)/W	R Value (ft2·°F·hr)/Btu
38	Single Cell Translucent	0.82	4.64
38	Single Cell Blockout	1.16	6.57
38	Double Cell Translucent	0.87	4.92
38	Double Cell Blockout	1.19	6.75
25	Single Cell Translucent	0.55	3.10
25	Single Cell Blockout	0.77	4.36

As a point of comparison, the following are the approximate RSI Values of alternative window furnishings (materials and fit will alter R Values):

- Single Glazed Window RSI Value approx. 0.19 (m2K)/W
- Roller Blinds RSI Value approx. 0.14 (m2K)/W
- Plantation Shutters RSI Value approx. 0.33 (m2K)/W
- Heavy Curtains RSI Value approx. 0.16 (m2K)/W

Please note 45mm Cell & Cell-In-Cell data is not available currently.

4.2 Cell Configuration



25mm Cellular Blinds

- Have small unobtrusive bottom rails, requiring only 27mm clear reveal space for recess fit.
- Available in Single Cell only.
- Available in Block-out and Translucent, in a wide range of colours and textures.
- Please see section 4.7 below for Top Rail depth and bracket allowances, which vary depending on operation.

38mm and 45mm Cellular Blinds

- Have unobtrusive bottom rails, requiring 47mm clear reveal space for 38mm recess fit and requiring 54mm clear reveal space for 45mm recess fit.
- Available in 38mm and 45mm Single Cell, 38mm Double Cell and 45mm Cell-In-Cell
- Available in both Block-out and Translucent Fabrics, in a wide range of colours and textures.
- The advantage of a double cell blind is they have better insulation properties (higher R value).
- Please see section 4.6 below for Top Rail depth and bracket allowances, which vary depending on operation.

For details on textures and colours please refer to the [Custom Made Blind Reference Chart](#)

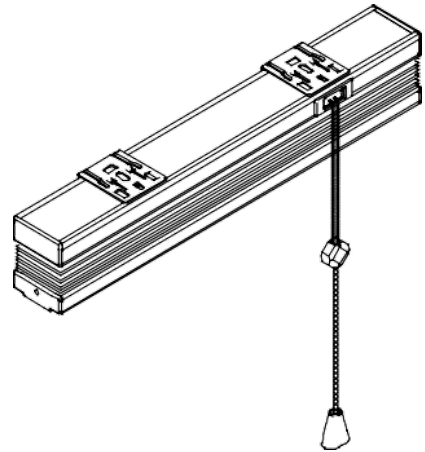
4.3 Control Options

Cellular Blinds have a range of options to suit operation requirements:

- Standard Cord Control
- Clutch Control
- Cordless
- Motorised – Battery Operated with either Wand Control or Remote Control
- Motorised – Powered Operated Motor with Power Adapter (Hardwired motor) with either Wand Control or Remote Control
- Motorised – Rechargeable Battery-Operated Motor with either Wand Control or Remote Control
- Skylight – Cordless
- Skylight - Motorised

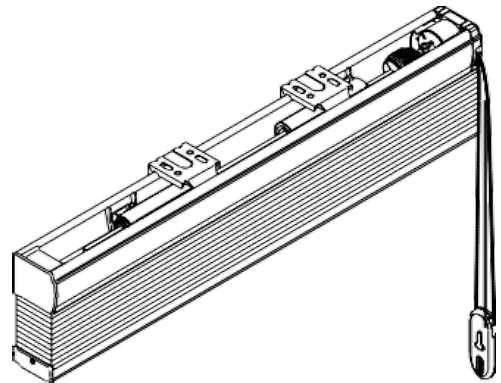
■ Standard Cord Control

- Cord lock system that raises or lowers the bottom rail
- Cord Installation must meet child safety rules
- Supplied child safety devices are transparent
- No surcharges on standard blind
- Widest range of blind sizes available (standard blind)
- Top Down Bottom Up and Day/Night Available



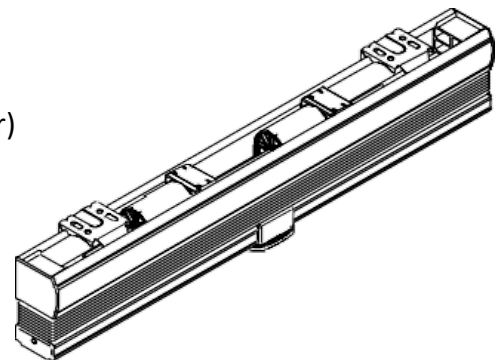
■ Clutch Control

- Continuous looping cord
 - Pull down the front of the cord to raise the blind.
 - Pull down the back of the cord to lower the blind.
- Cord Installation must meet child safety rules.
- Supplied child safety devices are transparent
- Surcharge applies
- Wide range of blind sizes available (standard blind)
- Top Down Bottom Up and Day/Night Available



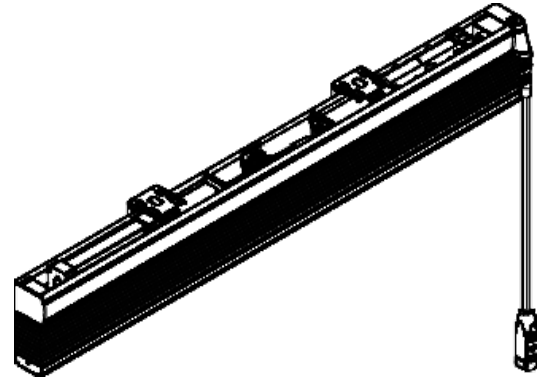
■ Cordless Control

- The ultimate child safe solution with no visible cords.
- Use the blind handle (optional on the bottom rail to raise or lower)
- The blind will stay in the desired position
- Surcharge applies
- Range of blind sizes available (standard blind):
 - Smallest 350mm x 200mm (600 for Double Cell)
- 25mm, 38mm and Double Cell Maximum Width 2400mm
- Maximum Drop 2100mm
- Top Down Bottom Up and Day/Night Available



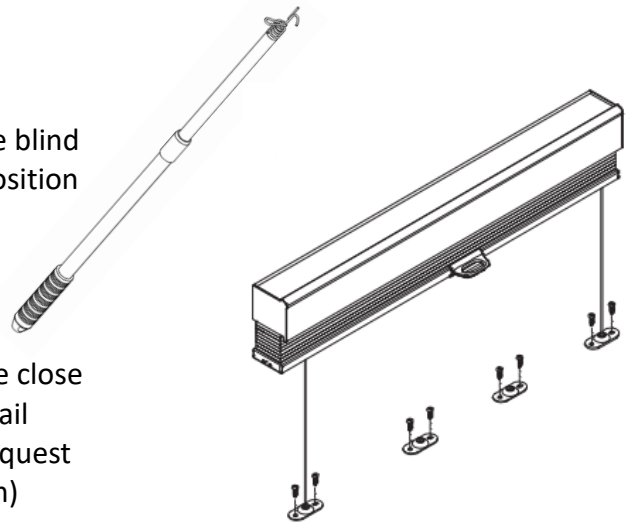
▪ Motorised - Wand or Remote Control

- Available in either battery, power adapter or rechargeable battery solutions.
- Raise or lower the blind with a touch of a button on the wand control or remote.
- Surcharge Applies
- 2m or 3m wired extension cables for Hard Wired are available on request
- Remote has 15 channels



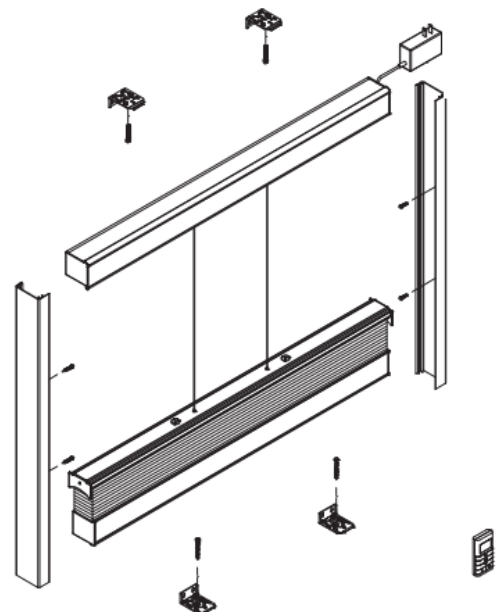
▪ Skylight - Cordless

- A great solution for Skylight windows
- The ultimate child safe solution with no visible cords.
- Use the blind handle on the bottom rail to open/close blind
 - The blind will stay in the desired position
- Available in 38mm Single cell only
- Surcharge Applies
- Standard operation only
- Supplied with wire guides running through the fabric
- Supplied with magnets on the bottom rail for a secure close
- Must have fixing points for the headrail and bottom rail
- An Extendable Pull Stick is available to order, upon request
 - Extendable pull stick size = (914.4mm - 1676.4mm)



▪ Skylight – Motorised

- The ultimate solution for hard-to-reach Skylight windows
- Open or Close the blind with a touch of a button on a Remote control.
- Must be supplied with side channels to hold rails and fabric
- Side channels supplied in white only
- Motor operated by a power adapter – constant power needed
- Available in 38mm Single cell only
- Surcharge Applies
- Remote has 15 channels
- Standard operation only
- Must have fixing points on all 4 sides of blind



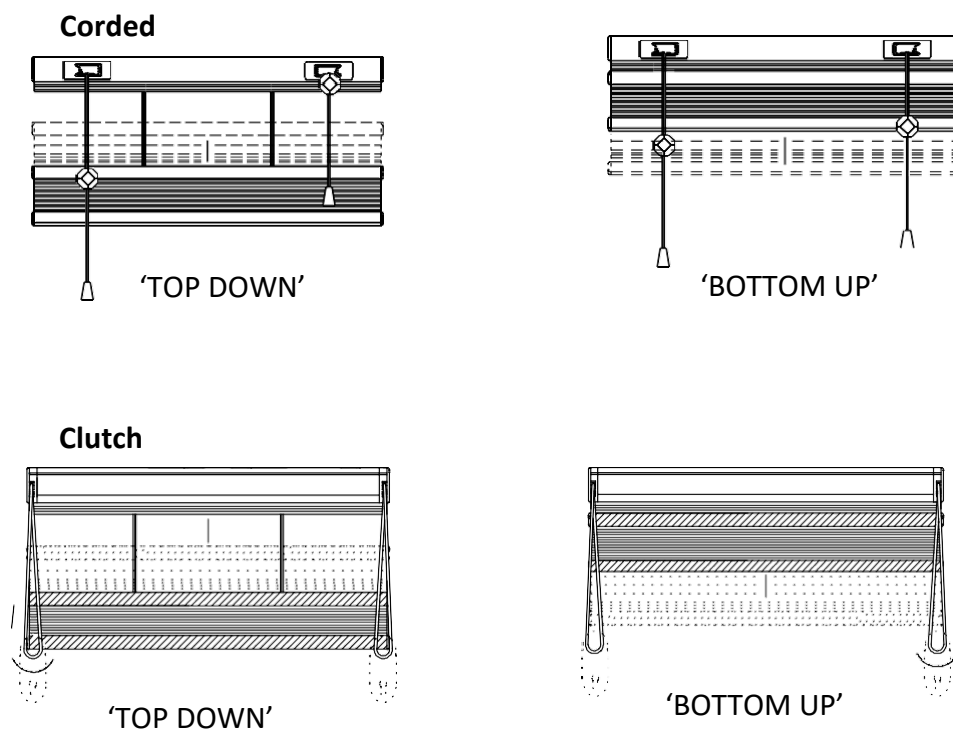
4.4 Configuration Options

In addition to Standard Cellular Blinds, there are two configuration options that offer greater functionality:

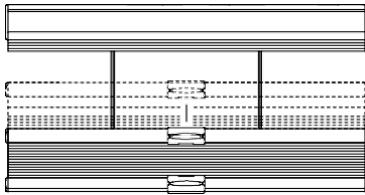
A. Top Down Bottom Up

- Allows the blind to be raised from the bottom and/or lowered from the top, providing superior privacy and light control.
- Available in Corded, Clutch, Motorised and Cordless control systems.
- A middle rail (same rail as a bottom rail) is fitted immediately below Headrail to facilitate the Top Down option
- **Corded** operates with cord locks on both the left and right sides of the Headrail, with an option on the order form to choose which side will operate the middle (Top Down) and bottom rails (Bottom Up) respectively. On the order form:
 - Top Left, Bottom Right means the Left cord controls the middle rail (Top Down)
 - Top Right, Bottom Left means the Right cord controls the middle rail (Top Down)
- **Clutch** operates with one cord on both the left and right sides, or one single cord on one side. Order form codes are:
 - LR means cord controlling middle rail (Top Down) is on the left
 - RL means cord controlling middle rail (Top Down) is on the right
 - L is one control cord on the left, operating all rails on the one single cord
 - R is one control cord on the right, operating all rails on the one single cord

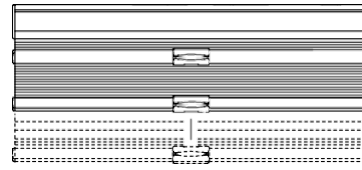
For Size details please refer to the [Custom Made Blind Reference Chart](#).



Cordless



'TOP DOWN'



'BOTTOM UP'

B. Day/Night

Two blinds (usually a Translucent and Block-out) are fitted one above the other on the same headrail, with a middle rail (same rail as a bottom rail) between these blinds.

'DAY' – allows the Translucent blind to show.

'NIGHT' – allows the Blockout blind to show.

- Either blind, or a combination of these blinds can be selected to cover the window at any given time. This gives total flexibility, control and functionality
- Day Blind can be ordered to be positioned on the top, or the bottom; visa versa for the Night Blind.
- Available in Corded, Cordless, Motorised and Clutch control systems.
- Charged as two blinds (selecting the correct fabric type price grid) with an additional surcharge.

Corded operates with a cord lock on both left and right sides of the headrail, with an option on order forms to choose which side will operate the Day and Night Blinds respectively:

Top Left, Bottom Right means the Left cord controls the middle rail (exposing top blind), the Right cord controls the bottom rail (exposing bottom blind).

Top Right, Bottom Left means the Right cord controls the middle rail (top blind), the Left cord controls the bottom rail (bottom blind).

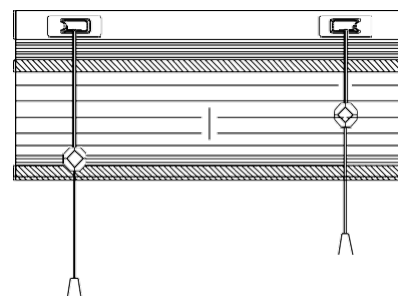
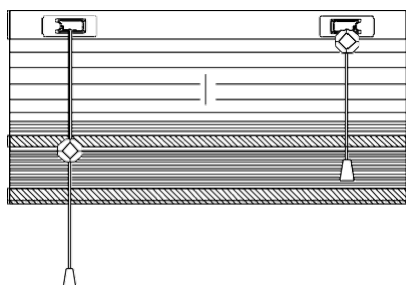
Clutch operates with one cord on both the left and right sides, or one single cord on one side.

Order form codes are:

- LR means cord operating the higher positioned of the two blinds is on the left
- RL means cord operating the higher positioned of the two blinds is on the right
- L is one control cord on the left, operating all rails on the one single cord
- R is one control cord on the right, operating all rails on the one single cord

For Size details please refer to the [Custom Made Blind Reference Chart](#).

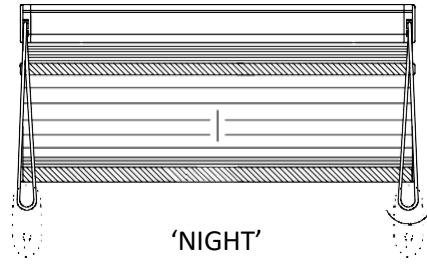
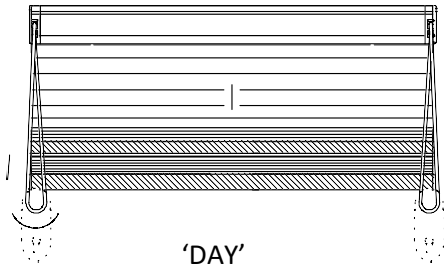
Corded



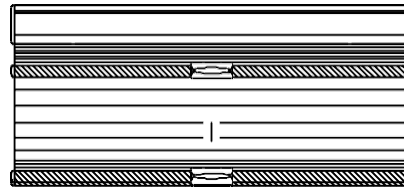
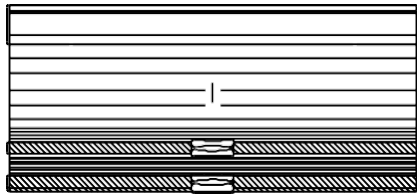
'DAY'

'NIGHT'

Clutch



Cordless



4.5 Motorised Options

Motorised Blind upper and lower limits are pre-set in the factory and step by step programming instructions are provided to reset or to set favourite positions. There are several Motorised Blind options to consider, including:

Power Supply

- Powered Operated Motor With Power Adapter (Hardwired Motor) with Wand or Remote. These use a 240V Mains Plug and will require a power point/socket close to the Blind. The Blinds will need a continuous power source to operate
- Battery Operated Motor with Wand or Remote. Battery Operated Blinds use 8 x AA Batteries per Blind. These are not recommended for frequent use as the batteries may require regular changing. The batteries will need replacing according to the frequency of use and are not rechargeable. Motorised Battery options are not recommended for high window area's (due to the requirements to change batteries).
- Rechargeable Battery Operated Motor With Power Adapter with Wand or Remote. These use a 240V Mains Plug and will require a power point/socket close to the Blind when recharging the battery

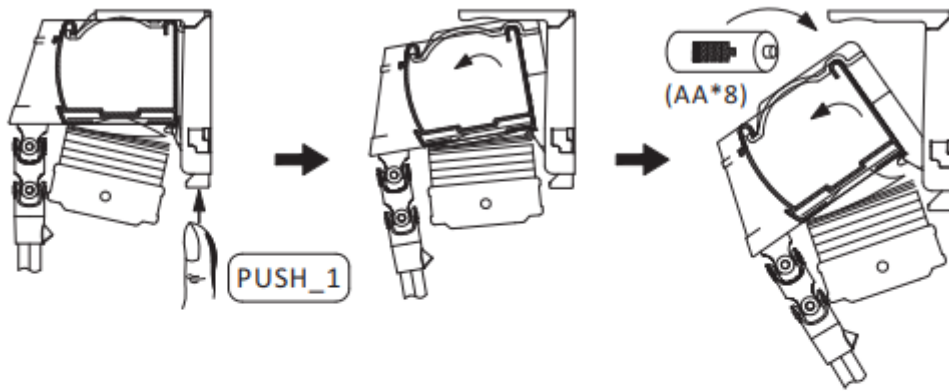
Control Type

- Wand, which is a switch attached to the blind via a wand.
- Remote Control

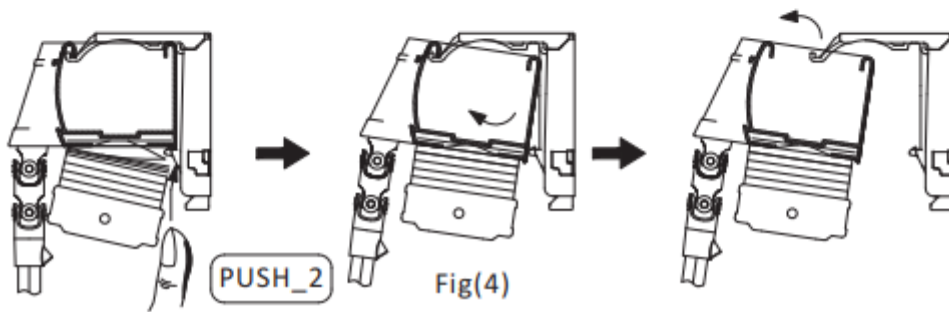
Configuration

- Standard
- Top Down Bottom Up
- Day Night

Procedure to Replace Batteries



OR

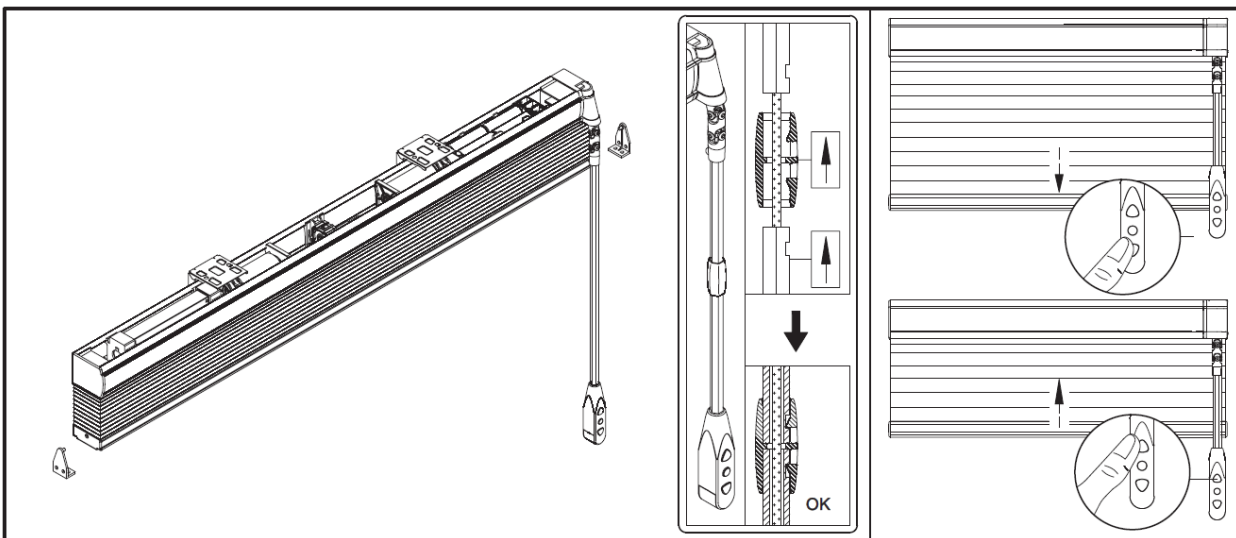


Wand

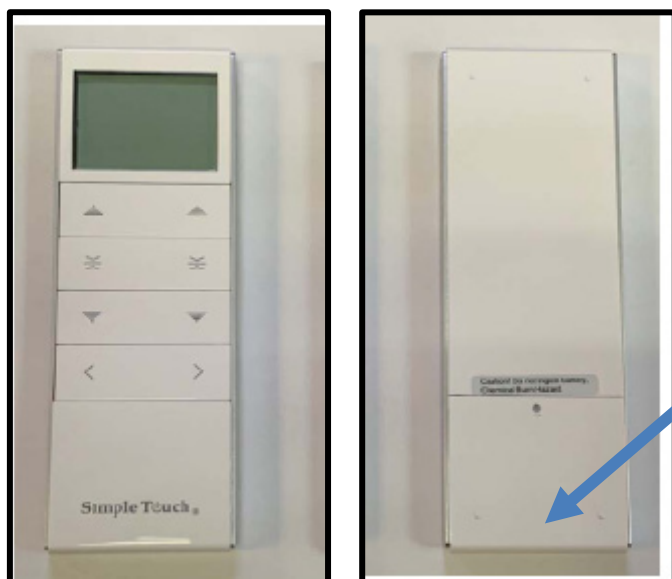
Wands are translucent rods that make the blind's operating switch accessible for the user. Wands are positioned on the left, or right of the blind, as ordered. Wands are attached to the headrail and drop between 380mm and 1580mm from the top of the headrail. They have the advantage over a Remote control that they use less energy and are always with the blind. Below are the standard wand sizes for each Cellular blind drop.

When the order form does not specify the Wand length, the standard wand length will be;

Drop less than 2400mm	Wand length 830mm
Drop more than 2400mm	Wand length 1580mm

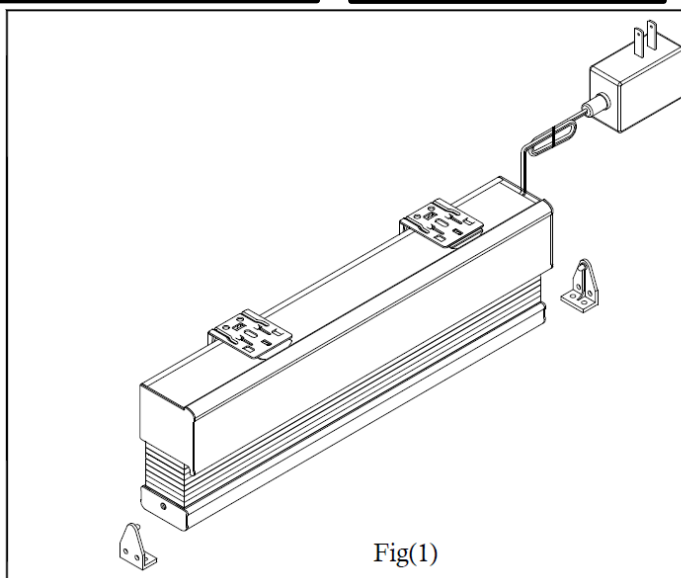


A. Remote Control

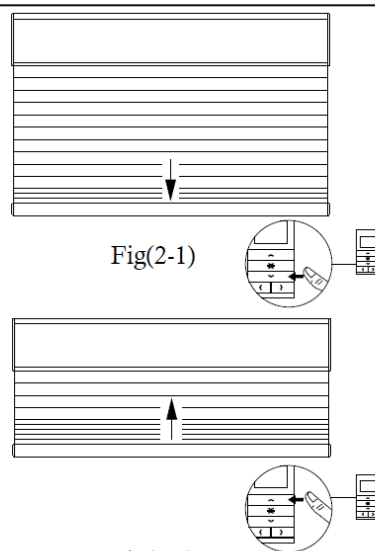


Remote Controls have 15 Channels and are recommended to be powered by an Adaptor (wired blinds plugged into 240v 3 pin Socket).

A Push Pin tool is required to open the battery compartment on the remote, to prevent a child from accessing the button battery.



Fig(1)



Fig(2-1)

Fig(2-2)

MOTORISED CONTROLLED BY WIRELESS REMOTE			
CONFIGURATION	POWER SUPPLY	AVAILABILITY	NOTES
STANDARD	240v PLUG & ADAPTOR - 3 Pin Socket Required	YES	1A Black Wire and Adaptor
TDBU		YES	
DAY NIGHT		YES	
CONFIGURATION	POWER SUPPLY	AVAILABILITY	NOTES
STANDARD	STD BATTERY (8 AA per Blind)	YES - NOT RECOMMENDED	Expect Frequent Battery Changes. Reveal Fit Blinds have to be removed from opening to change batteries
TDBU		NO	
DAY NIGHT		NO	

4.6 Reveal Depth Required (Face Fit Projection)

The following measurements include the L shaped bracket shown in the photographs below.

25mm Cell	Headrail & Bracket	Photo
Corded Standard	37mm	
Corded Top Down Bottom Up	37mm	
Corded Day/Night	37mm	
Clutch	55mm	
Clutch Top Down Bottom Up	55mm	
Clutch Day/Night	55mm	
Cordless	55mm	
Cordless Top Down Bottom Up	55mm	
Motorised Standard	55mm	
Motorised Top Down Bottom Up	55mm	
Motorised Day/Night	55mm	
38mm Cell	Headrail & Bracket	Photo
Corded Standard	55mm	
Corded Top Down Bottom Up	55mm	
Corded Day/Night	55mm	
Clutch	55mm	
Clutch Top Down Bottom Up	55mm	
Clutch Day/Night	55mm	
Cordless	55mm	
Cordless Top Down Bottom Up	55mm	
Motorised Standard	55mm	
Motorised Top Down Bottom Up	55mm	
Motorised Day/Night	55mm	
45mm Cell	Headrail & Bracket	Photo
Corded Standard	64mm	
Corded Top Down Bottom Up	64mm	
Corded Day/Night	64mm	
Clutch	64mm	
Clutch Top Down Bottom Up	64mm	
Clutch Day/Night	64mm	
Cordless	64mm	
Cordless Top Down Bottom Up	64mm	
Motorised Standard	64mm	
Motorised Top Down Bottom Up	64mm	
Motorised Day/Night	64mm	

The following measurements are rail and Headbox sizes, excluding the mounting bracket:

Blind Operation Type & Rail Sizes	25mm	38mm	45mm
	W x H	W x H	W x H
Head Rail - Standard (corded), Corded Day & Night, Corded Top Down Bottom Up	2.70cm x 1.70cm	4.72cm x 2.95cm	5.40cm x 2.95cm
Head Rail - Cordless, Cordless Top Down Bottom Up, Cordless Day & Night	4.75cm x 4.35cm	4.75cm x 4.35cm	5.40cm x 4.35cm
Head Rail - Clutch, Clutch Top Down Bottom Up, Clutch Day & Night, Motorised	4.75cm x 4.35cm	4.75cm x 4.35cm	5.40cm x 4.35cm
Middle Rail - Day & Night, Top Down Bottom Up for Corded, Clutch, Cordless, Motorised	2.70cm x 1.10cm	4.13cm x 1.10cm	4.72cm x 1.10cm
Bottom Rail - All options (except Skylight)	2.70cm x 1.20cm	4.02cm x 1.60cm	4.72cm x 1.60cm
Head Rail - Cordless Skylight, Wireless Remote Skylight		4.75cm x 4.35cm	
Middle Rail - Wireless Remote Skylight		4.13cm x 1.60cm	
Bottom Rail - Cordless Skylight		4.13cm x 1.10cm	
Bottom Rail - Wireless Remote Skylight		4.75cm x 4.35cm	

4.7 Cellular Blinds Stack Heights

Stack heights are relatively small, therefore a feature of Cellular Blinds is that when stacked, they are unobtrusive. Below are the approx. standard stack heights for each Cellular blind drop.

Blind Drop	Stack Height
500mm	47mm
1000mm	60mm
1500mm	70mm
2000mm	80mm
2500mm	91mm
3000mm	100mm

4.8 Cellular Blinds Cord Length (For Standard Corded Blinds)

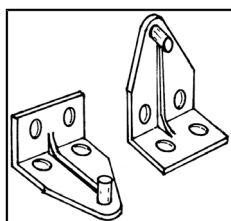
Below are the standard cord lengths for each Cellular blind drop. Longer or shorter cords may be supplied on request.

Blind Drop	Chain Length
Up to 849mm	425mm
850 – 1199mm	425mm ~ 600mm
1200 – 1499mm	600mm ~ 750mm
1500 – 1799mm	750mm ~ 900mm
1800 – 2299mm	900mm ~ 1150mm
Over 2300mm	Half of the Blind Drop

4.9 Hold Down Clips

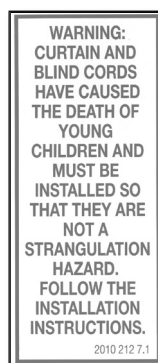
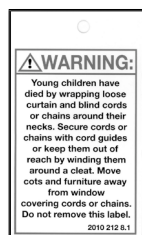
Hold-down clips made from reinforced polycarbonate plastic and are optional at no extra cost. They will help prevent the blinds from swinging due to motion. Hold-down clips are available for Face Fit blinds only.

Cellular Blinds are not designed to be in use directly in front of open windows with a breeze coming in. Hold-down clips are an ideal option for fixed openings or for TDBU Cellular blinds that are mounted on doors and windows which can be opened allowing a breeze in the area that is free of fabric.



4.10 Safety Features

- Corded Cellular blinds are supplied with clear polycarbonate cord cleats to tie off the cord when the blinds are raised.
- Clutch Cellular Blinds are supplied with a cord guide which secures the cord
- Warning labels are attached to the blinds to alert consumers to the possible risks in the blind operation. This complies with Child Safety Regulations.



4.11 Selling Tips

- Cellular Blinds are subtle and attractive, available in a range of colours and textures to match any décor.
- Cellular Blinds are extremely efficient insulators. They have been proven to help control Temperature, Light and Sound much more effectively than other blinds and curtains.
- Cellular Blinds are slim and unobtrusive when stacked. They stack tightly and easily.
- Cellular Blinds can be fitted into both very small and very large spaces. Minimum clear reveal depth to accommodate the bottom rail is 27mm.
- They wipe clean, are colour-fast and hold their shape.
- Top Down Bottom Up Cellular blinds offer flexibility of privacy at the bottom and ventilation at the top.
- The rear of all Cellular blinds are white.
- Always check that there is a position where cords can be tied off for Child Safety

5. Custom Made Transition Shades

- Transition Shades allow the control of sunlight and privacy without having to raise the blind.
- Transition Shades offer two different ranges:
 - Multi Shade Transition Shade Range
 - Triple Shade Transition Range
- The Transition range offers a variety of fabric types.
- The fabrics are available in a variety of finishes and offer an extensive range of colours.
- The headbox, chain control, bottom rail and chain are available in a variety of colours to suit any decor.
- Stainless steel chain options are available.
- Fabric inserts are an option for the headbox, allowing the matching fabric to be inserted as a feature.

The Transition Shade range consists of a comprehensive range of fabrics. For details on all the fabric types, colours and options please refer to the [Custom Made Blind Reference Chart](#).

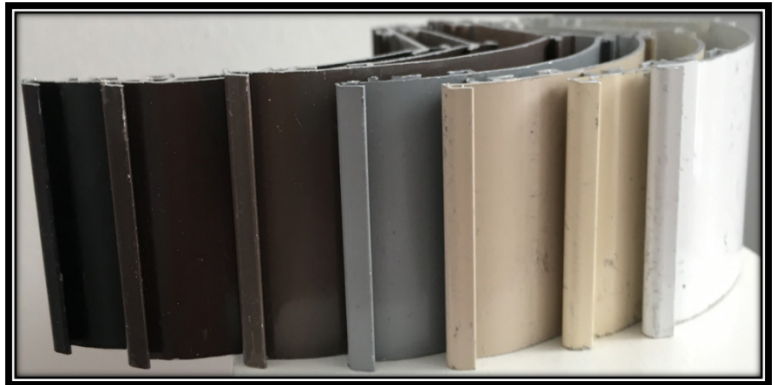


5.1 Transition Shades

Options & Parts

Headbox

- The headbox is available in:
 1. Black
 2. Dark Brown
 3. Light Brown
 4. Grey
 5. Beige
 6. Ivory
 7. White



- The headbox is available with a fabric insert, which allows the matching fabric to be inserted as a feature. This is recommended.

Chain Controls

- Chain Controls are available in White, Ivory, Beige, Grey, Light Brown, Dark Brown or Black.

Chain

- Chain colour will be matched to the headbox colour unless Stainless Steel is selected.
- Chain is available in White, Ivory, Beige, Grey, Light Brown, Dark Brown, Black or Stainless Steel.

Recess Bracket (for Headbox)



Topside of Bracket



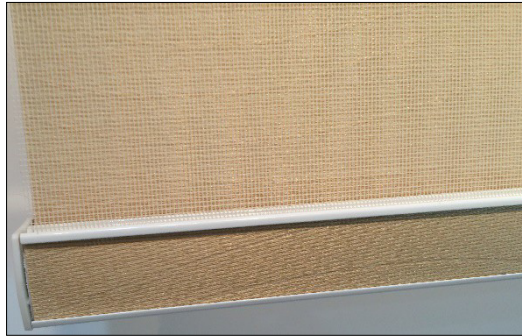
Underside of Bracket



Face Fit Bracket

Bottom Rail

- When Jacquard Weave Shades are ordered, the bottom rail will be supplied as the Square profile with fabric insert. The bottom rail and end caps will be supplied in black or white only. The fabric will be inserted as a feature.



- When Triple Shade Semi Blockout, Triple Shade Privacy Standard and Triple Shade Jacquard Weave are ordered, the bottom rail will be supplied as the Shuttle Oval profile. The bottom rail and end caps will be supplied to match the headbox (either in White, Ivory, Beige, Grey, Light Brown, Dark Brown or Black).



- For all other fabric types, the bottom rail will be supplied as the Trapezium profile. The bottom rail and end caps will be supplied to match the headbox (either in White, Ivory, Beige, Grey, Light Brown, Dark Brown or Black). Note the white bottom rail in the photographs below is not the default for this fabric colour.



Blind Dimensions

For minimum and maximum widths and heights please refer to the [Custom Made Blind Reference Chart](#).

Maximum width and height is dependent on the fabric and style type chosen.

5.2 Motorised Multi Shades and Triple Shades

Transitions are motorised using an energy saving, patented, low power tubular motor, powered by a rechargeable lithium battery. The battery will last 4-6 months between charges, assuming the motor is operated for 1 minute per day. Recharging takes 4 hours to fully charge the battery. The blind is operated by 5 Channel remote, therefore 5 blinds can be operated by one remote. Limits are pre-programmed, therefore further programming is usually not required. If preferred, in addition to fully up and fully down, 4 additional positions can be pre-programmed for ease of use. For this reason, clear, diagrammatic programming instructions are provided with each delivered blind.

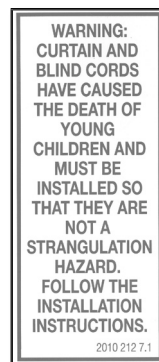
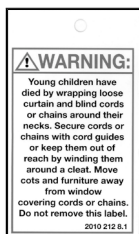
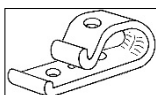


A small screw driver is required to open the battery compartment on the remote, to prevent a child from accessing the button battery.

5.3 Safety Features

All Transition Shades are supplied with clear cord hold down clips so the chain will be secure when the Shades are raised.

Warning labels are also attached to the Shades to alert consumers to the possible risks in the Shade's operation. This complies with Child Safety Regulations.



5.4 Chain Length

Below are the standard chain lengths for each blind drop.

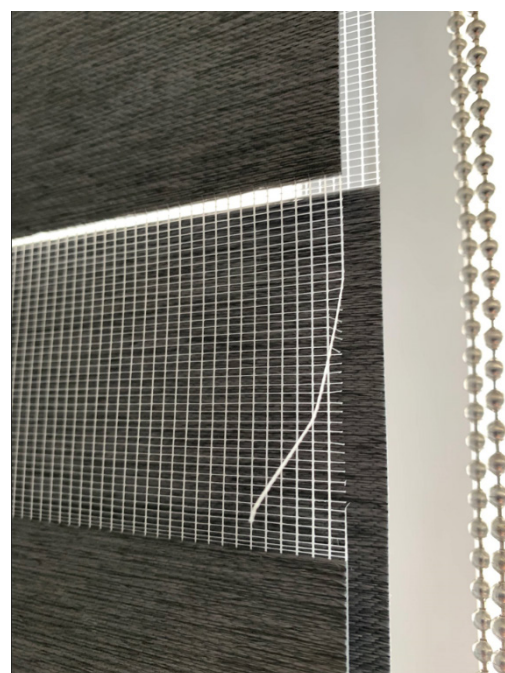
Please note: if required, a specific chain length can be specified when ordering.

Blind Drop	Chain Length
Up to 849mm	500mm
850 – 1199mm	750mm
1200 – 1499mm	1000mm
1500 – 1799mm	1200mm
1800 – 2299mm	1500mm
Over 2300mm	2000mm

5.4 Selling Tips Multi Shade Transition Range

Multi Shades are similar to a Roller Blind but with significant added benefits.

- Each layer of the double layer of fabric with alternate sheer and solid stripes is adjusted relative to the other layer, to give fingertip control over light and privacy.
- The blind can be ordered standard or reverse roll
- The pelmet-like Headbox with fabric insert is elegant and stylish
- Order “Side by Side” if more than one blind is ordered for the same room, or if more than one blind will be seen together from the outside. To match the stripes, side by side blinds must be the same drop.
- Fabric is dust, mould and moisture resistant polyester, with 6-8 Colour Fastness Ratings.
- The gaps between the reveal and blind are minimal to reduce light gaps.
- Multi Shades are not block-out blinds. The format of these blinds can allow daylight to filter between the layers of fabric and some light to filter on the edges.
- Occasionally single stray threads may become apparent in transit. These may be safely trimmed by the installer using sharp scissors.
- Our Multi Shade ranges include;
 - Multi Shade Textured
 - Multi Shade Privacy Woven
 - Multi Shade Privacy Standard
 - Multi Shade Premium Blockout Woven
 - Multi Shade Jacquard Weave
 - Multi Shade Premium Blockout
 - Multi Shade Premium Room Darkening
 - Multi Shade Premium Woven Room Darkening
 - Multi Shade Privacy Large
 - Multi Shade Semi Blockout Grain
 - Multi Shade Semi Blockout Textured
 - Multi Shade Privacy Textured
 - Multi Shade Privacy Grain



For fabric colours, types, options and specifications please refer to the [Custom Made Blind Reference Chart](#).

5.5 Selling Tips Triple Shade Transition Range

- Triple Shade is a three-dimensional window furnishing which combines some of the best features of Roller Blinds and Venetian Blinds to control privacy and light.
- Triple Shade offers both form and function, suiting most décor styles due to the romantic sheer softening straight horizontal lines.
- The horizontal heavier fabric slats tilt inside sheer fabric on the front and back.
- The blind rolls up and down in the closed position.
- The tilt is controlled when the blind is fully down in the opening, using the same chain as the raise and lower functions.
- The headbox is a small elegant curve shape with fabric inserts.
- Triple Shade is available in a range of colour ways, with toning Head Box, Chain and Bottom Rail. Stainless Steel Chain is available.
- Triple Shade Fabric is dust, mould and moisture resistant polyester with 6-8 Colour Fastness Ratings.
- The gaps between the reveal and blind are minimal to reduce light gaps.
- Triple Shade blinds are not block-out due to semi-opaque fabric and format of the blind.
- Our Triple Shade ranges include;
 - Triple Shade standard
 - Triple Shade Semi Blockout
 - Triple Shade Privacy Standard
 - Triple Shade Jacquard Weave



For fabric colours, types, options and specifications please refer to the [Custom Made Blind Reference Chart](#).

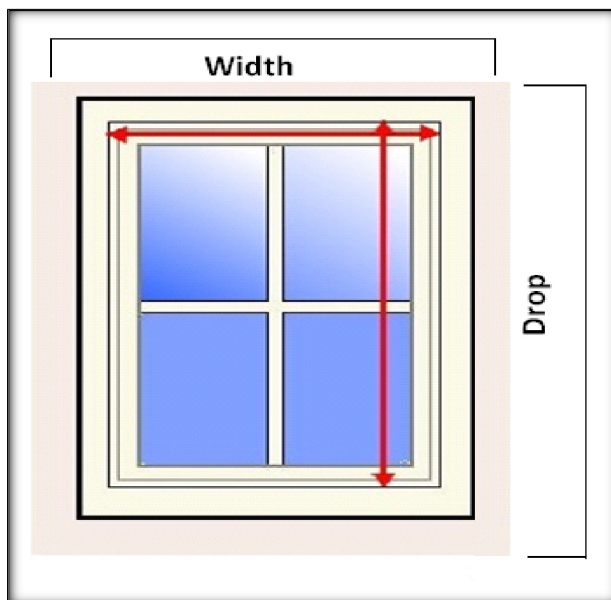
6. Measuring

Please note; when blinds are ordered near the maximum size specifications, the weight can affect the operation of the blind.

6.1 Recess Fit

Recess Fit

- ✓ The blind is to be installed in the recess or reveal of the opening.
- ✓ When measuring in a recess it is important to measure both the width and the drop at three points (*please see below*). The reason for taking three measurements in each direction is to allow for any problem that may occur if the window is out of square. The **smallest measurement is the one that is required**.



Width Measurements

Measurements taken at the top, centre and bottom of the opening and the **smallest of these three measurements will be the width measurement**.

Drop Measurements

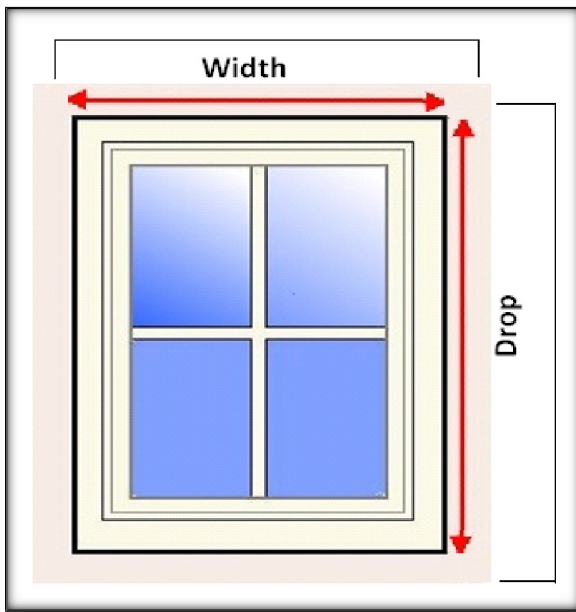
Measurements taken from the left, centre and right sides of the opening and the **smallest of these three measurements will be the drop measurement**.

As per any blind, you can make your own measuring deductions. Ensure that you supply the finished **ACT** (Actual Size) on your order/worksheet. If you would like the factory to make the allowances mark your order **NAM (No Allowances Made)** and the factory will make standard industry deductions, depending on the product ordered.

6.2 Face Fit

Face Fit

- ✓ The blind is to be installed on the face/outside surface or architrave surrounding the window.



Width Measurement

Measure from the outside edge to the outside edge of the architrave across the width of the window. On a window opening where there is no architrave or window surround, be sure that you measure the blind 100mm above the window opening and that you extend 50mm either side to ensure that light gaps are minimised.

Drop Measurement

Measure vertically from the top of the architrave to the bottom of the architrave, or to the desired finished length. Where the window is not a full-length window, the width and drop measurements are taken as the finished or actual size of the blind.

As per any blind, you can make your own measuring deductions. Ensure that you supply the finished **ACT (Actual Size)** on your order/worksheet. If you would like the factory to make the allowances mark your order **NAM (No Allowances Made)** and the factory will deduct 10mm off the drop for a face fit blind.

Please note: The standard return on a Venetian Blind fascia is a 67mm as an internal measurement. The smallest return is a 25mm internal measurement. Unless otherwise requested, all returns will be made at the standard size (67mm). If returns are required to go back to the wall surface, then the architrave depth measurement should be noted on the order form.

e.g.: Standard return (67mm) + 20mm architrave depth = 87mm.

7. Ordering Process

All orders for Custom Made Blinds **MUST** be submitted electronically using the latest version of Pacific Wholesale Distributors Custom Made Blinds Order Forms.

References to the Custom Made Blinds Order Forms will be made throughout this manual. If you do not have the latest version of Pacific Wholesale Distributors Custom Made Blinds Order Forms, please contact the office at support@pacificwholesale.com.au and request a copy today.

Please see an example of the Pacific Wholesale Distributors Custom Made Blinds Order Forms on the following pages:



50mm & 63mm Venetian Blinds

STORE NAME:	0
CUSTOMER NAME:	0
DELIVERY ADDRESS:	0
WORKSHEET # / PO #:	0
DATE:	01/01/1900
<i>Order Requirements Alex</i>	

PWD ORDER NO.:	SALES ORDER NO.:
Phone: +612 8850 9301	Fax: +612 9680 7488

Item #	Room Location	Qty	Product	Colour	Gross Open Width	Gross Open Height	Window Type	Fitting	Allowance	Cord Lock	Tilt	Hold Down	Fascia	Cut Out	Cut Out Height Left	Cut Out Width Left	Cut Out Height Right	Cut Out Width Right	Special Comments	
1																				
2																				
3																				
4																				
5																				
6																				
7																				
8																				
9																				
10																				
11																				
12																				
13																				
14																				
15																				
16																				
17																				
18																				
19																				
20																				
21																				
22																				
23																				

Page 1

8. Special Requirement Windows & Options

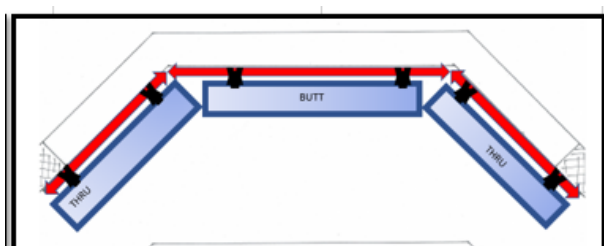
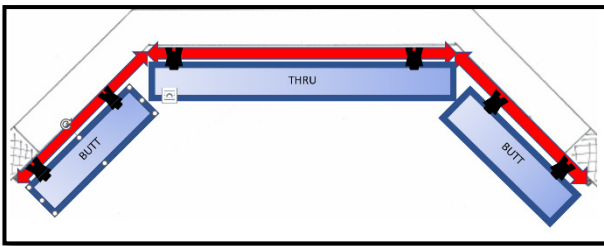
There is a large variety of options that can be supplied for windows with special requirements. Some of these include: Bay Windows, Corner Windows, and Cut Outs for Venetian Blinds. Every requirement is different due to the product type and the application. This section will help to outline the details and special requirements needed to manufacture these types of blinds.

8.1 Bay Window

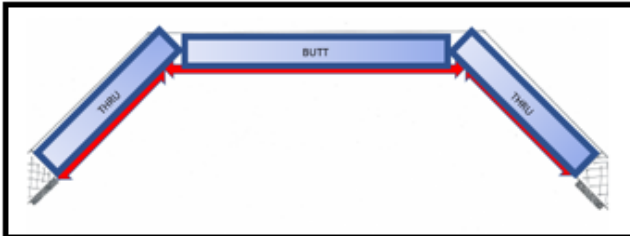
Refer to the diagrams below. When measuring a bay window. Measure in the position indicated by the red arrows. Deductions taken to ensure the blinds fit vary, depending on where the opening is measured, whether it is the Thru or Butt blind, where the blind is to be fitted, and the bracket size or type. It is assumed that Bay Windows are standard 135° angles. Order each blind as a separate item. Indicate each blind clearly on the worksheet and order them as NAM, so the necessary deductions will be made by the factory.

To ensure that there is a suitable fixing point for the safety cleat, it is suggested that the controls for Blind A and C are placed on the outside of the window, and for Blind B ensure a mullion/skirting board is accessible, if the control type includes cords.

Face Fit – measured at the back of the bracket


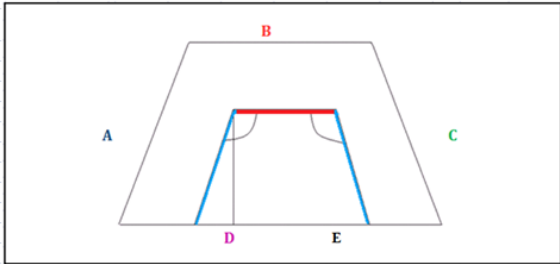


Recess Fit – measured at the front of the recess



Bay Window Order Form

The below Bay Window worksheet can be found on our order form.
Please make sure this form is completed when ordering this window type.

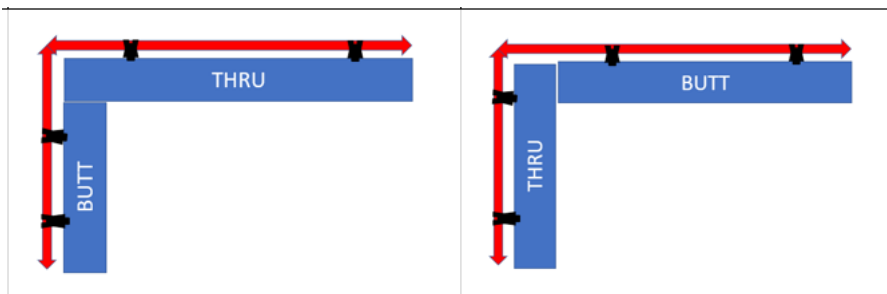
		<h3 style="text-align: center;">CMB BAY WORKSHEET</h3>									
<p><i>Please check all the necessary information is on the Order before submitting.</i></p>		STORE NAME: 0		ACCOUNT NAME: 0							
		WORKSHEET # / PO #: 0		DATE: 0/01/1900							
		PHONE: +61 2 8850 9301	EMAIL TO: cmborders@pacificwholesale.com.au								
		FAX: + 61 2 9680 7488	ENQUIRIES: cmborders@pacificwholesale.com.au								
											
Room Location	Product	Recess / Face	Allowance ACT / NAM	If Recess: Front/Back Measure	Angle (°)	Measurements (mm)					
						A	B	C	D	E	Drop

8.2 Corner Window

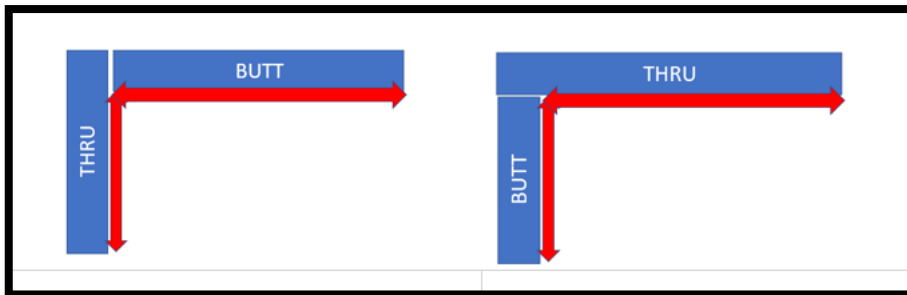
Refer to the diagrams below. When measuring a corner window, measure in the position indicated by the red arrows. Deductions taken to ensure the blinds fit vary, depending on where the opening is measured, whether it is the Thru or Butt, where the blind is to be fitted, and the bracket size or type. It is assumed that Corner Windows are 90o angles. Order each blind as a separate item. Indicate each blind clearly on the worksheet and order them as NAM, so the necessary deductions will be made by the factory.

To ensure that there is a suitable fixing point for the safety cleat, it is suggested that the controls are not placed in the corner of the window.

Face Fit – measured at the back of the bracket



Recess - Front of Recess



8.3 Corner Window Order Form

The "Thru" and "Butt" window worksheet can be found on our order form. Please make sure this form is completed when ordering this window type.

PACIFIC WHOLESALE DISTRIBUTORS		CMB CORNER WORKSHEET							
Please check all the necessary information is on the Order before submitting.		STORE NAME:	0						
		ACCOUNT NAME:	0						
		WORKSHEET # / PO #:	0						
		DATE:	0/01/1900						
PHONE:	+61 2 8850 9301	EMAIL TO:	cmborders@pacificwholesale.com.au						
FAX:	+ 61 2 9680 7488	ENQUIRIES:	cmborders@pacificwholesale.com.au						
<p>LEFT HAND CORNER (LH)</p>		<p>RIGHT HAND CORNER (RH)</p>							
Room Location	Product	Left Hand Or Right Hand	Recess / Face	Allowance ACT / NAM	Butt / Thru	If Recess: Front/Back Measure	Measurements (mm)		
							A	B	Drop

8.4 Cut Outs - Only for PS Venetians

If a cut out is required, please specify the height from the bottom of the door or frame to the top and bottom of the cut out. If the cut out is difficult, or more than one cut out on each side is required, then a clear drawing will be required.

Please ensure all cells for the cut-out options have been completed before sending through the order.



Gross Open Width	Gross Open Height	Cut Out	Cut Out Height Left	Cut Out Width Left	Cut Out Height Right	Cut Out Width Right
2200	2000	Yes			1100	30

- A. Overall Blind Height
- B. Overall Blind Width
- C. Depth of Cut Out
- D. Cut Out Width

9. Sales Aids

Swatches

We have introduced a range of Sales Aids and swatches that will assist sales people when promoting the Custom-Made Blind Range.

These can be ordered by emailing your order to support@pacificwholesale.com.au

An electronic Sales Aids order form is available.

Please email support@pacificwholesale.com.au and request a Sample Swatches order form to be emailed.

Please see below for the options available.

9.1 50mm and 63mm PS Venetian

\$POA each



9.2 Cellular Blinds Folder

\$POA each



Includes:

- Cellular Blind Cell samples.
- Fabric swatches (all available textures and colours).
- Product information which includes control and functional design options.

13.7 Transition Shades Folder

\$POA each



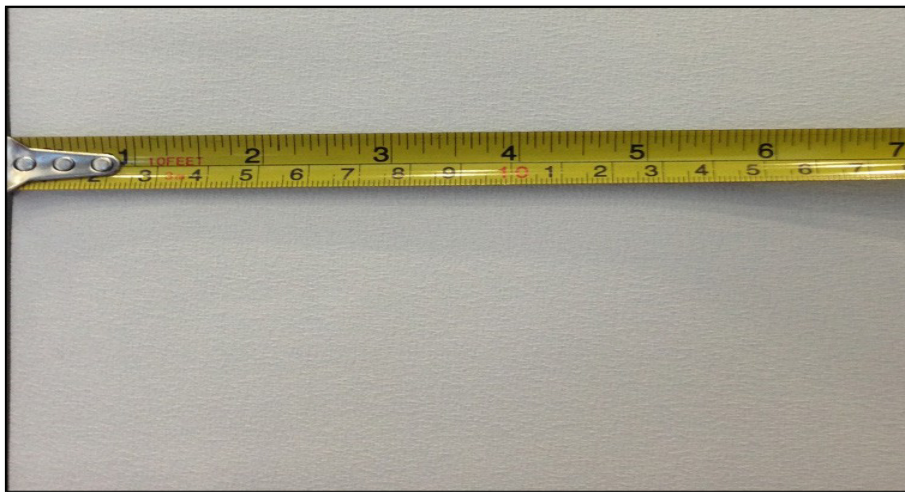
Includes:

- Transition Shades fabric swatches (all available textures and colours).

10. Custom Made Blinds Remake Process

In the event of a Custom Made Blind being received with a defect, the following information must be emailed to support@pacificwholesale.com.au

1. A copy of the original order form.
2. A new order form, clearly showing the blind(s) that need remaking. Please specify that the order is a **remake** – failure to do so may result in the original order being placed as a new order at full charge.
3. A detailed description specifying exactly what the concern is and exactly what blind or component needs remaking. Failure to clearly specify this information may result in a longer lead time.
4. Supporting photographs illustrating any concerns. For example – if the blind supplied was cut to short, then you must provide photographs which show a tape measure being held against the blind, to clearly illustrate the size it was supplied at.



11. Care and Maintenance

Proper care and maintenance will increase the life of your investment.

CAUTION:

Never use harsh cloths, harsh abrasives, chlorine or ammonia-based chemicals or cleaners on the Blinds surfaces as they may affect their appearance, longevity and warranty.

Please note: to avoid creating a possible strangulation hazard for children, any corded internal window covering must be installed in such a way that a loose cord cannot form a loop 220mm or longer at a height of less than 1600mm above floor level.

Please also note: in accordance with this safety legislation, the installation of these products must adhere to the following procedures to avoid creating a possible strangulation hazard for children:

- Check there are no loose cords that a child can reach from the floor, cot, bed or by climbing furniture
- Tie any cords out of reach
- Move any furniture that a child can use to climb on to access operational cords
- Do not remove any child safety locks, or warning tags as per the below image.



11.1 Venetian Blinds

Venetian Blinds should be raised and lowered at least once every 2 months to ensure the mechanisms are working properly. Excessive raising and lowering of Venetian Blinds will place unnecessary strain on components and cause premature wear.

Venetian Blinds are designed to be tilted to filter incoming light and closed for privacy. Venetian Blinds should be dusted regularly using a clean soft cloth, feather duster or a vacuum cleaner with a brush attachment to remove accumulated dust. To clean, move along the slats, with the blind in the lowered position, tilt slats (*not entirely closed*) first one way and then tilt the other way to dust both sides and to ensure you reach the top and bottom surfaces of the slats.

If spraying insecticides or any harmful chemicals the blinds must be placed in a raised position. These chemicals **must not** come in contact with the blinds.

Any moving, sliding or pivoting parts should be sprayed using a food grade silicone spray, do not use any abrasive petroleum lubrications.

11.2 Cellular Blinds

Cellular Blinds should be dusted regularly using a clean soft cloth, feather duster or a vacuum cleaner with a brush attachment to remove accumulated dust. Tougher stains can be removed using a neutral soap on a damp cloth.

If spraying insecticides or any harmful chemicals the blinds must be placed in a raised position. These chemicals **must not** come in contact with the blinds.

Any moving, sliding or pivoting parts should be sprayed using a food grade silicone spray, do not use any abrasive petroleum lubrications. Ensure that silicone spray does not come into direct contact with the fabric as this could cause permanent staining.

11.3 Transition Shades

Transition Shades should be dusted regularly down both sides of the blade, with a soft clean cloth, feather duster or a vacuum cleaner with a brush attachment to remove all accumulated dust. Other stains or marks can be removed using a neutral soap on a damp cloth.

12. Custom Made Blinds Questions & Answers

Q: What is NAM?

A: No Allowance Made – this means you provide the opening size when ordering your blinds and the factory will make the deductions required. Please refer to the [Ordering and Measuring Process](#).

Q: What is ACT?

A: Actual Size – this means you have made the necessary deductions when ordering your blinds and the factory will make no deductions. Please refer to the [Ordering and Measuring Process](#).

Q: Can I order a different sized operating Chain or Wand?

A: Yes. If you require a longer or shorter wand, then please specify this in the “Special Comments” section of your order form.

Q: Can I split the controls for Venetian Blinds?

A: Yes, you can have controls split. This is recommended for easier access and operation of the blinds. Specify what side out you would like each control on at the time of placing your order.

Q: Do I need pictures of faulty goods?

A: Yes, as these are vital facts which the factory requires to support your claim, and they also help to establish what needs to be replaced in order to achieve a quick resolution. Please refer to the [Custom Made Blinds Remake Process](#).

Q: Do you need the goods back once we have replaced them?

A: Not unless requested by Pacific.

Q: What's my lead time on Custom Made Blinds?

A: Usually between 4 and 6 weeks from order confirmation (*i.e. once all information received on the order form is correct and complete without further questions*).

13. Custom Made Blinds Reference Chart

Please refer to the following pages.

Material	Venetian Blind			
Custom Made Blind Range	50mm PS Slat	50mm PS Privacy Slat	63mm PS Slat	63mm PS Privacy Slat
Size	Blade Sizes			
50mm	✓	✓		
63mm			✓	✓
	Window Types			
Standard	✓	✓	✓	✓
Side By Side	✓	✓	✓	✓
Corner A Butt	✓	✓	✓	✓
Corner A Thru	✓	✓	✓	✓
Corner B Butt	✓	✓	✓	✓
Corner B Thru	✓	✓	✓	✓
Bay A	✓	✓	✓	✓
Bay B	✓	✓	✓	✓
Bay C	✓	✓	✓	✓
	Blind Heights			
Minimum Blind Height	200mm	200mm	200mm	200mm
Maximum Blind Height	3000mm	3000mm	3000mm	3000mm
	Blinds & Window Widths			
Minimum Blind Width	222mm	222mm	222mm	222mm
Maximum Blind Width	3000mm	3000mm	3000mm	3000mm
Maximum Window Width For Single Blind Option	3000mm	3000mm	3000mm	3000mm
	Fitting Method			
Face Fit	✓	✓	✓	✓
Recess Fit	✓	✓	✓	✓
	Fascia/Pelmet Options			
Fascia/Pelmet Standard Or Option	Standard	Standard	Standard	Standard
Colours	Matched To Blind Colour	Matched To Blind Colour	Matched To Blind Colour	Matched To Blind Colour
Size	85mm	85mm	85mm	85mm
	Special Options Available			
Door Cutouts	✓	✓	✓	✓
Multiple Blinds	✓	✓	✓	✓
Suitable For Wet Areas	✓	✓	✓	✓
	Additional Options Available			
Other Options	Standard Or Common Fascia 67mm Standard Return Or Size As Requested	Standard Or Common Fascia 67mm Standard Return Or Size As Requested	Standard Or Common Fascia 67mm Standard Return Or Size As Requested	Standard Or Common Fascia 67mm Standard Return Or Size As Requested

Material		Venetian Blind			
Custom Made Blind Range		50mm PS Slat	50mm PS Privacy Slat	63mm PS Slat	63mm PS Privacy Slat
Selling Features		<i>Wide Range Of Colours</i>	<i>Superior Privacy & Light Shielding</i>	<i>Wide Range Of Colours</i>	<i>Superior Privacy & Light Shielding</i>
		Material			
Material		Polystyrene PS	Polystyrene PS	Polystyrene PS	Polystyrene PS
		Advantages			
Termite Proof		✓	✓	✓	✓
Insulative Properties <i>Keeps Homes Both Cooler In Summer & Warmer In Winter</i>		✓	✓	✓	✓
Repels Moisture		✓	✓	✓	✓
Colour	Finish	Colour Options			
Colour	<i>Painted</i>	Antique White V140 Arctic Snow Plain PS103-P Ivory Plain PS207-P Shaded Grey P305 Silver Button P304 White V186	Antique White V140 Arctic Snow Plain PS103-P Ivory Plain PS207-P Shaded Grey P305 Silver Button P304 White V186	Antique White V140 Arctic Snow Plain PS103-P White V186	Antique White V140 Arctic Snow Plain PS103-P White V186

Blind Type		Single Cellular														
		Single Cellular Blinds Are Available In 25mm, 38mm Or 45mm												Skylight Cellular Blinds Are Available In 38mm Single Cell Only		
		Corded			Cordless			Clutch			Motorised			Skylight		
Operation Type		Corded Standard	Corded Day Night	Corded Top Down, Bottom Up	Cordless Standard	Cordless Day Night	Cordless Top Down, Bottom Up	Clutch Standard	Clutch Day Night	Clutch Top Down, Bottom Up	Motorised Standard	Motorised Day Night	Motorised Top Down, Bottom Up	Cordless Standard	Motorised Standard	
Size		Blade Sizes														
25mm		✓	✓	✓	✓	✓	✓	✓	✓	✓	✓	✓	✓	✓	✓	
38mm		✓	✓	✓	✓	✓	✓	✓	✓	✓	✓	✓	✓	✓	✓	
45mm		✓	✓	✓	✓	✓	✓	✓	✓	✓	✓	✓	✓	✓	✓	
		Window Types														
Standard		✓	✓	✓	✓	✓	✓	✓	✓	✓	✓	✓	✓	✓	✓	
Side By Side		✓	✓	✓	✓	✓	✓	✓	✓	✓	✓	✓	✓	✓	✓	
Corner A Butt		✓	✓	✓	✓	✓	✓	✓	✓	✓	✓	✓	✓	✓	✓	
Corner A Thru		✓	✓	✓	✓	✓	✓	✓	✓	✓	✓	✓	✓	✓	✓	
Corner B Butt		✓	✓	✓	✓	✓	✓	✓	✓	✓	✓	✓	✓	✓	✓	
Corner B Thru		✓	✓	✓	✓	✓	✓	✓	✓	✓	✓	✓	✓	✓	✓	
Bay A		✓	✓	✓	✓	✓	✓	✓	✓	✓	✓	✓	✓	✓	✓	
Bay B		✓	✓	✓	✓	✓	✓	✓	✓	✓	✓	✓	✓	✓	✓	
Bay C		✓	✓	✓	✓	✓	✓	✓	✓	✓	✓	✓	✓	✓	✓	
		Blind Heights														
Minimum Blind Height	25mm	200mm	300mm	200mm	200mm	300mm	200mm	200mm	300mm	200mm	200mm	200mm	200mm	200mm	N/A	N/A
Maximum Blind Height		2500mm	2500mm	2500mm	2100mm	2100mm	2100mm	2500mm	2500mm	2500mm	2500mm	2500mm	2500mm	2500mm	N/A	N/A
Minimum Blind Height	38mm	200mm	300mm	200mm	200mm	300mm	200mm	200mm	300mm	200mm	200mm	200mm	200mm	300mm	600mm	
Maximum Blind Height		3600mm	3600mm	3600mm	2100mm	2100mm	2100mm	3000mm	3000mm	3000mm	3000mm	3000mm	3000mm	2100mm	2100mm	
Minimum Blind Height	45mm	200mm	300mm	200mm	200mm	300mm	200mm	200mm	300mm	200mm	200mm	200mm	200mm	N/A	N/A	
Maximum Blind Height		3600mm	3600mm	3600mm	2100mm	2100mm	2100mm	3000mm	300mm	3000mm	3000mm	3000mm	3000mm	N/A	N/A	
		Maximum Total Square Metres Per Blind														
25mm Blind		7.5m ²	4.56m ²	7.5m ²	5.04m ²	5.04m ²	5.04m ²	7.5m ²	6.4m ²	7.32m ²	7.5m ²	7m ²	7.5m ²	N/A	N/A	
38mm Blind		10.8m ²	5.5m ²	10.8m ²	5.04m ²	5.04m ²	5.04m ²	9m ²	6.4m ²	7.32m ²	9m ²	7m ² Blackout & Translucent 7m ² Blackout & Lattice 5.50m ² Blackout & Woven	9m ²	5.04m ²	5.04m ²	
45mm Blind		10.8m ²	5.5m ²	10.8m ²	5.04m ²	5.04m ²	5.04m ²	9m ²	6.4m ²	7.32m ²	9m ²	7m ² Blackout & Translucent 7m ² Blackout & Lattice 5.50m ² Blackout & Woven	9m ²	N/A	N/A	
		Blind Widths														
Minimum Blind Width		200mm	450mm	450mm	250mm	550mm	550mm	300mm	570mm	570mm	710mm (Battery) 620mm (Powered With Adapter)	910mm - 1200mm (Battery Wand Control) 850mm - 1000mm (Powered With Adapter)	910mm - 1200mm (Battery Wand Control) 850mm - 1000mm (Powered With Adapter)	450mm	710mm (Battery) 620mm (Powered With Adapter)	
Maximum Blind Width		3000mm	3000mm	3000mm	2400mm	2400mm	2400mm	3000mm	3000mm	3000mm	3000mm	3000mm	3000mm	2400mm	2400mm	
		Fitting Method														
Face Fit		✓	✓	✓	✓	✓	✓	✓	✓	✓	✓	✓	✓	✓	✓	
Recess Fit		✓	✓	✓	✓	✓	✓	✓	✓	✓	✓	✓	✓	✓	✓	
		Head Rail/Fascia/Pelmet Options														
Fascia/Pelmet Standard Or Option		Standard	Standard	Standard	Standard	Standard	Standard	Standard	Standard	Standard	Standard	Standard	Standard	Standard	Standard	
Colours		Matched To Blind Colour	Matched To Blind Colour	Matched To Blind Colour	Matched To Blind Colour	Matched To Blind Colour	Matched To Blind Colour	Matched To Blind Colour	Matched To Blind Colour	Matched To Blind Colour	Matched To Blind Colour	Matched To Blind Colour	Matched To Blind Colour	Matched To Blind Colour	Matched To Blind Colour	
Fabric Insert		x	x	x	x	x	x	x	x	x	x	x	x	x	x	
		Special Options Available														
Door Cutouts		x	x	x	x	x	x	x	x	x	x	x	x	x	x	
Multiple Blinds		✓	✓	✓	✓	✓	✓	✓	✓	✓	✓	✓	✓	✓	x	
Suitable For Wet Areas		x	x	x	x	x	x	x	x	x	x	x	x	x	x	
Motorisation Information		<p>The Motorised Options are:</p> <p>Battery Operated Motor with Wand or Remote. Battery Operated Blinds use 8 x AA Batteries per Blind. These are not recommended for frequent use as the batteries may require regular changing. The batteries will need replacing according to the frequency of use and are not rechargeable. Motorised Battery options are not recommended for high window area's (due to the requirements to change batteries).</p> <p>Powered Operated Motor With Power Adapter (Hardwired Motor) with Wand or Remote. These use a 240V Mains Plug and will require a power point/socket close to the Blind. The Blinds will need a continuous power source to operate.</p> <p>Rechargeable Battery Operated Motor With Power Adapter with Wand or Remote. These use a 240V Mains Plug and will require a power point/socket close to the Blind when recharging the battery. This option is not available for Skylight Motorised Blinds.</p>														
Notes		<p>* Clutch Day Night & Top Down Bottom Up, One Central Cord minimum widths are: 600mm (Height < 2000mm), 700mm (Height ≥ 2000mm).</p> <p>† Motorised Day Night & Motorised Top Down, Bottom Up Minimum Widths: 910mm (Battery - Simple Touch Wand) 1200mm (Battery - Simple Touch Wireless Remote) 850mm (Powered Operated Motor With Power Adapter - Simple Touch Wand) 1000mm (Powered Operated Motor With Power Adapter - Simple Touch Wireless Remote)</p> <p>‡ Motorised Skylight Side Channels available in White only.</p>														

Blind Type	Single Cellular													Skylight Cellular Blinds Are Available In 38mm Single Cell Only	
	Single Cellular Blinds Are Available In 25mm, 38mm Or 45mm														
	Corded			Cordless			Clutch			Motorised			Skylight		
Operation Type	Corded Standard	Corded Day Night	Corded Top Down, Bottom Up	Cordless Standard	Cordless Day Night	Cordless Top Down, Bottom Up	Clutch Standard	Clutch Day Night	Clutch Top Down, Bottom Up	Motorised Standard	Motorised Day Night	Motorised Top Down, Bottom Up	Cordless Stadar	Motorised Standard	
Selling Features	Smaller Headbox Insulation Ideal For Smaller Drops	Light Filtering & Blockout Configuration Smaller Headbox Insulation Ideal For Smaller Drops	Increased Level Of Control & Privacy Smaller Headbox Insulation Ideal For Smaller Drops	No Chains Or Cords Easy Operation Child Safe Insulation	Light Filtering & Blockout Configuration No Chains Or Cords Easy Operation Child Safe Insulation	Increased Level Of Control & Privacy No Chains Or Cords Easy Operation Child Safe Insulation	Clutch Assisted Operation Insulation	Light Filtering & Blockout Configuration Clutch Assisted Operation Insulation	Increased Level Of Control & Privacy Clutch Assisted Operation Insulation	Easy Operation Motorised Wand Control Or Remote No Chains Or Cords Child Safe Insulation	Light Filtering & Blockout Configuration Easy Operation Motorised Wand Control Or Remote No Chains Or Cords Child Safe Insulation	Increased Level Of Control & Privacy Easy Operation Motorised Wand Control Or Remote No Chains Or Cords Child Safe Insulation	Great Solution For Skylight Windows No Chains Or Cords Easy Operation Child Safe Insulation Easy To Reach Extendable Pole Available	The Ultimate Solution For Hard-To-Reach Skylight Windows Easy Operation Motorised Remote No Chains Or Cords Child Safe Insulation	
Advantages	Insulative Properties Keeps Homes Both Cooler In Summer & Warmer In Winter	✓	✓	✓	✓	✓	✓	✓	✓	✓	✓	✓	✓	✓	
Fade Resistant	✓	✓	✓	✓	✓	✓	✓	✓	✓	✓	✓	✓	✓	✓	
Child Safe	✗	✗	✗	✓	✓	✓	✗	✗	✗	✓	✓	✓	✓	✓	
Dust Resistant	✓	✓	✓	✓	✓	✓	✓	✓	✓	✓	✓	✓	✓	✓	
Mould Resistant	✓	✓	✓	✓	✓	✓	✓	✓	✓	✓	✓	✓	✓	✓	
Repels Moisture	✓	✓	✓	✓	✓	✓	✓	✓	✓	✓	✓	✓	✓	✓	
PVC Free	✓	✓	✓	✓	✓	✓	✓	✓	✓	✓	✓	✓	✓	✓	
Fabric Options															
Blockout Standard	25mm, 38mm & 45mm Single Cell Only - Cotton 25mm & 38mm Single Cell Only - Alabaster, Avocado, Black, Bordeaux, Cocoa, Fawn, Federal Blue, Gray Sheen, Jean Blue, Ocher, Onion, Pink Flamingo, Pongee, Royal Purple 38mm Single Cell Only - Anthracite, Aqua Glass, Buff Yellow, Cloak Gray, Crystal Pink, Dark Chocolate, Gray Ridge, Ironstone, Orion Blue, Roycroft Bottle Green, Sticks & Stones, White Dove 45mm Single Cell Only - Antique Red, Battle Of Bordeaux, Fresh Brew, In The Navy, Poppysseed, Stormy Sky													Skylight Cellular Blinds Are Available In All 38mm Single Cell Fabric Ranges & Colours Only	
Blockout Bamboo Print	38mm Single Cell Only - Antique Pewter, Avocado, Dark Chocolate, Dark Gray B, Gray Sheen, Jean Blue, Pongee, Pongee, Royal Gray, Sticks & Stones														
Blockout Woodgrain	45mm Single Cell Only - Amazing Gray, Gray Matters, Tony Taupe, Accessible Beige, Gray Screen														
Blockout Woodgrain Linen	45mm Single Cell Only - Blanched Almond A, Dawn Gray, Silver Gray, Light Walnut, Coral Black														
Blockout Marble	45mm Single Cell Only - Worldly Gray, Passive, Amazing Worldly Gray, Gray Ponder, Gray Online														
Blockout Sala	45mm Single Cell Only - Stone Harbor, Stormy Gray, Argos White, Gray White, Passive White														
Translucent Standard	25mm, 38mm & 45mm Single Cell Only - Cotton 25mm & 38mm Single Cell Only - Agate Red, Alabaster, Avocado, Biscuit, Black, Bordeaux, Cocoa, Cream, Fawn, Grey Sheen, Jean Bue, Marine Blue, Ocher, Onion, Pink Flamingo, Pongee, Roseate, Royal Gray, Royal Purple, Snow White, Spring Green, Stone Red, Tan, Terra Cotta, Water Green, White Dove, Wisteria 38mm Single Cell Only - Anthracite, Antique Pewter, Cloak Gray, Cyberspace, Dark Chocolate, Ironstone, Pier, Roycroft Bottle Green, Roycroft Mist Gray, Sticks & Stones, Warm Cocoa 45mm Single Cell Only - Antique Red, Battle Of Bordeaux, Fresh Brew, In The Navy, Poppysseed, Salamander, Silhouette, Silken Peacock, Stormy Sky														
Translucent Bamboo Print	38mm Single Cell Only - Antique Pewter, Avocado, Dark Chocolate, Dark Gray B, Gray Sheen, Jean Blue, Pongee, Royal Gray, Sticks & Stones														
Translucent Crepe Woven	38mm Single Cell and 45mm Single Cell Only - Cotton, Cornsilk A, Fawn A, Mink A, Chocolate, Espresso A, Royal Gray A, Light Aquamarine, Light Olive Green, Fire Brick A, Tumbleweed, Sangria A, Acacia Haze, Wild Ginger, Navy, Gray Moss, Plebian Blue, Stallion, Gourmet Chocolate, Anthracite														
Translucent Crush	38mm Single Cell Only - Cocoa, Cotton, Fawn, White Dove, Winter White														
Translucent Linen	38mm Single Cell Only - Agate Red, Avocado, Cocoa, Jean Blue, Royal Gray, Royal Purple														
Translucent Lux-Linen	45mm Single Cell Only - Chantilly Lace, Cotswold, Cotton, Hazy Skies, Royal Gray A, Taos Taupe														
Translucent Marble	45mm Single Cell Only - Amazing Worldly Gray, Gray Online, Gray Ponder, Passive, Worldly Gray														
Translucent Paisley															
Translucent Sala	45mm Single Cell Only - Argos White, Gray White, Passive White, Stone Harbour, Stormy Gray														
Translucent Sheer	25mm & 38mm Single Cell Only - Anthracite, Avocado, Black, Alabaster, Cocoa, Cotton, Fawn, Gray Sheen, Pink Flamingo, Snow White 45mm Single Cell Only - Alabaster, Cocoa, Cotton, Grey Sheen														
Translucent Sheer A	38mm Single Cell Only - Cotton, Alabaster, Gray Sheen, Snow White														
Translucent Slub Woven	38mm Single Cell Only - Alabaster, Black, Cocoa, Cotton, Gray Sheen														
Translucent Thatched	25mm & 38mm Single Cell Only - Avocado, Cocoa, Fawn, Pongee, Terra Cotta														
Translucent Woodgrain	45mm Single Cell Only - Accessible Beige, Amazing Gray, Gray Matters, Gray Screen, Tony Taupe														
Translucent Woodgrain Linen	45mm Single Cell Only - Blanched Almond A, Dawn Gray, Silver Gray, Light Walnut, Coral Black														
Translucent Woven	25mm & 38mm Single Cell Only - Avocado, Cocoa, Cotton, Fawn, Onion 38mm Single Cell Only - Anthracite, Antique Pewter, French Press, Ironstone, White Dove														
Day Night Option Available															
Day Night Colours	Day Night Can Be Ordered With Any Combination Of The Same Cell Size Blockout & Translucent Colours.														

Blind Type		Cell-In-Cell Cellular											Double Cellular													
		Cell-In-Cell Cellular Blinds Are Available In 45mm Cell Size Only											Double Cellular Blinds Are Available In 38mm													
		Corded			Cordless			Clutch			Motorised			Corded			Cordless			Clutch			Motorised			
Operation Type		Corded Standard	Corded Day Night	Corded Top Down, Bottom Up	Cordless Standard	Cordless Day Night	Cordless Top Down, Bottom Up	Clutch Standard	Clutch Day Night	Clutch Top Down, Bottom Up	Motorised Standard	Motorised Day Night	Motorised Top Down, Bottom Up	Corded Standard	Corded Day Night	Corded Top Down, Bottom Up	Cordless Standard	Cordless Day Night	Cordless Top Down, Bottom Up	Clutch Standard	Clutch Day Night	Clutch Top Down, Bottom Up	Motorised Standard	Motorised Day Night	Motorised Top Down, Bottom Up	
Size		Blade Sizes																								
25mm																										
38mm																										
45mm																										
		Window Types																								
Standard																										
Side By Side																										
Corner A Butt																										
Corner A Thru																										
Corner B Butt																										
Corner B Thru																										
Bay A																										
Bay B																										
Bay C																										
		Blind Heights																								
Minimum Blind Height	25mm	N/A	N/A	N/A	N/A	N/A	N/A	N/A	N/A	N/A	N/A	N/A	N/A	N/A	N/A	N/A	N/A	N/A	N/A	N/A	N/A	N/A	N/A	N/A	N/A	
Maximum Blind Height		N/A	N/A	N/A	N/A	N/A	N/A	N/A	N/A	N/A	N/A	N/A	N/A	N/A	N/A	N/A	N/A	N/A	N/A	N/A	N/A	N/A	N/A	N/A	N/A	
Minimum Blind Height	38mm	N/A	N/A	N/A	N/A	N/A	N/A	N/A	N/A	N/A	N/A	N/A	200mm	600mm	200mm	600mm	600mm	600mm	600mm	600mm	600mm	600mm	600mm	600mm	600mm	
Maximum Blind Height		N/A	N/A	N/A	N/A	N/A	N/A	N/A	N/A	N/A	N/A	N/A	2500mm	2500mm	2500mm	2100mm	2100mm	2100mm	2500mm	2500mm	2500mm	2500mm	2500mm	2500mm	2500mm	
Minimum Blind Height	45mm	300mm	300mm	300mm	300mm	300mm	300mm	300mm	300mm	300mm	300mm	300mm	N/A	N/A	N/A	N/A	N/A	N/A	N/A	N/A	N/A	N/A	N/A	N/A	N/A	
Maximum Blind Height		2100mm	2100mm	2100mm	2100mm	2100mm	2100mm	2100mm	2100mm	2100mm	2100mm	2100mm	N/A	N/A	N/A	N/A	N/A	N/A	N/A	N/A	N/A	N/A	N/A	N/A	N/A	
		Maximum Total Square Metre's Per Blind																								
25mm Blind		N/A	N/A	N/A	N/A	N/A	N/A	N/A	N/A	N/A	N/A	N/A	N/A	N/A	N/A	N/A	N/A	N/A	N/A	N/A	N/A	N/A	N/A	N/A	N/A	
38mm Blind		N/A	N/A	N/A	N/A	N/A	N/A	N/A	N/A	N/A	N/A	N/A	7.5m ²	4.56m ²	7.5m ²	5.04m ²	5.04m ²	5.04m ²	7.5m ²	6.4m ²	7.32m ²	4.75m ² Blockout 7m ² Translucent	4.50m ²	5.0m ² Blockout 7.0m ² Translucent		
45mm Blind		6.3m ²	3.8m ²	6.3m ²	4.04m ²	4.04m ²	4.04m ²	6.3m ²	5.2m ²	6.3m ²	4.5m ²	4.6m ²	4.6m ²	N/A	N/A	N/A	N/A	N/A	N/A	N/A	N/A	N/A	N/A	N/A		
		Blind Widths																								
Minimum Blind Width		200mm	450mm	450mm	250mm	550mm	550mm	300mm	570mm	570mm	710mm (Battery) 620mm (Powered With Adapter)	910mm - 1200mm (Battery) 850mm - 1000mm (Powered With Adapter)	910mm - 1200mm (Battery) 850mm - 1000mm (Powered With Adapter)	200mm	450mm	450mm	250mm	550mm	550mm	300mm	570mm	570mm	710mm (Battery) 620mm (Powered With Adapter)	910mm - 1200mm (Battery) 850mm - 1000mm (Powered With Adapter)	910mm - 1200mm (Battery) 850mm - 1000mm (Powered With Adapter)	
Maximum Blind Width		3000mm	3000mm	3000mm	2400mm	2400mm	2400mm	3000mm	3000mm	3000mm	3000mm	3000mm	3000mm	3000mm	3000mm	3000mm	2400mm	2400mm	2400mm	3000mm	3000mm	3000mm	3000mm	3000mm	3000mm	
		Fitting Method																								
Face Fit																										
Recess Fit																										
		Head Rail/Fascia/Pelmet Options																								
Fascia/Pelmet Standard Or Option		Standard	Standard	Standard	Standard	Standard	Standard	Standard	Standard	Standard	Standard	Standard	Standard	Standard	Standard	Standard	Standard	Standard	Standard	Standard	Standard	Standard	Standard	Standard	Standard	
Colours		Matched To Blind Colour	Matched To Blind Colour	Matched To Blind Colour	Matched To Blind Colour	Matched To Blind Colour	Matched To Blind Colour	Matched To Blind Colour	Matched To Blind Colour	Matched To Blind Colour	Matched To Blind Colour	Matched To Blind Colour	Matched To Blind Colour	Matched To Blind Colour	Matched To Blind Colour	Matched To Blind Colour	Matched To Blind Colour	Matched To Blind Colour	Matched To Blind Colour	Matched To Blind Colour	Matched To Blind Colour	Matched To Blind Colour	Matched To Blind Colour	Matched To Blind Colour	Matched To Blind Colour	
Fabric Insert		*	*	*	*	*	*	*	*	*	*	*	*	*	*	*	*	*	*	*	*	*	*	*	*	
		Special Options Available																								
Door Cutouts		*	*	*	*	*	*	*	*	*	*	*	*	*	*	*	*	*	*	*	*	*	*	*	*	
Multiple Blinds																										
Suitable For Wet Areas		*	*	*	*	*	*	*	*	*	*	*	*	*	*	*	*	*	*	*	*	*	*	*	*	
Motorisation Information		<p>The Motorised Options are:</p> <p>Battery Operated Motor with Wand or Remote. Battery Operated Blinds use 8 x AA Batteries per Blind. These are not recommended for frequent use as the batteries may require regular changing. The batteries will need replacing according to the frequency of use and are not rechargeable. Motorised Battery options are not recommended for high window area's (due to the requirements to change batteries).</p> <p>Powered Operated Motor With Power Adapter (Hardwired Motor) with Wand or Remote. These use a 240V Mains Plug and will require a power point/socket close to the Blind. The Blinds will need a continuous power source to operate.</p> <p>Rechargeable Battery Operated Motor With Power Adapter with Wand or Remote. These use a 240V Mains Plug and will require a power point/socket close to the Blind when recharging the battery.</p>																								
Notes		<p>* Clutch Day Night & Top Down Bottom Up, One Control Cord minimum widths are; 600mm (Height < 2000mm), 700mm (Height ≥ 2000mm).</p> <p>Motorised Day Night & Motorised Top Down, Bottom Up Minimum Widths:</p> <p>910mm (Battery - Simple Touch Wand)</p> <p>850mm (Powered Operated Motor With Power Adapter - Simple Touch Wand)</p> <p>1000mm (Powered Operated Motor With Power Adapter - Simple Touch Wireless Remote)</p>																								

Blind Type	Cell-In-Cell Cellular												Double Cellular											
	Cell-In-Cell Cellular Blinds Are Available In 45mm Cell Size Only												Double Cellular Blinds Are Available In 38mm											
Operation Type	Corded			Cordless			Clutch			Motorised			Corded			Cordless			Clutch			Motorised		
	Corded Standard	Corded Day Night	Corded Top Down, Bottom Up	Cordless Standard	Cordless Day Night	Cordless Top Down, Bottom Up	Clutch Standard	Clutch Day Night	Clutch Top Down, Bottom Up	Motorised Standard	Motorised Day Night	Motorised Top Down, Bottom Up	Corded Standard	Corded Day Night	Corded Top Down, Bottom Up	Cordless Standard	Cordless Day Night	Cordless Top Down, Bottom Up	Clutch Standard	Clutch Day Night	Clutch Top Down, Bottom Up	Motorised Standard	Motorised Day Night	Motorised Top Down, Bottom Up
Selling Features	<p>Selling Features</p> <p>Smaller Headbox Superior Insulation Ideal For Smaller Drops</p> <p>Light Filtering & Blockout Configuration</p> <p>Increased Level Of Control & Privacy</p> <p>Smaller Headbox Superior Insulation Ideal For Smaller Drops</p> <p>No Chains Or Cords Easy Operation Child Safe Superior Insulation</p> <p>Light Filtering & Blockout Configuration</p> <p>Increased Level Of Control & Privacy</p> <p>No Chains Or Cords Easy Operation Child Safe Superior Insulation</p> <p>Clutch Assisted Operation Superior Insulation</p> <p>Light Filtering & Blockout Configuration</p> <p>Increased Level Of Control & Privacy</p> <p>Clutch Assisted Operation Superior Insulation</p> <p>Easy Operation Motorised Wand Control Or Remote No Chains Or Cords Child Safe Superior Insulation</p> <p>Light Filtering & Blockout Configuration</p> <p>Increased Level Of Control & Privacy</p> <p>Easy Operation Motorised Wand Control Or Remote No Chains Or Cords Child Safe Superior Insulation</p> <p>Smaller Headbox Superior Insulation Ideal For Smaller Drops</p> <p>Light Filtering & Blockout Configuration</p> <p>Increased Level Of Control & Privacy</p> <p>Smaller Headbox Superior Insulation Ideal For Smaller Drops</p> <p>No Chains Or Cords Easy Operation Child Safe Superior Insulation</p> <p>Light Filtering & Blockout Configuration</p> <p>Increased Level Of Control & Privacy</p> <p>No Chains Or Cords Easy Operation Child Safe Superior Insulation</p> <p>Clutch Assisted Operation Superior Insulation</p> <p>Light Filtering & Blockout Configuration</p> <p>Increased Level Of Control & Privacy</p> <p>Clutch Assisted Operation Superior Insulation</p> <p>Easy Operation Motorised Wand Control Or Remote No Chains Or Cords Child Safe Superior Insulation</p> <p>Light Filtering & Blockout Configuration</p> <p>Increased Level Of Control & Privacy</p> <p>Easy Operation Motorised Wand Control Or Remote No Chains Or Cords Child Safe Superior Insulation</p> <p>Smaller Headbox Superior Insulation Ideal For Smaller Drops</p> <p>Light Filtering & Blockout Configuration</p> <p>Increased Level Of Control & Privacy</p> <p>Smaller Headbox Superior Insulation Ideal For Smaller Drops</p> <p>No Chains Or Cords Easy Operation Child Safe Superior Insulation</p> <p>Light Filtering & Blockout Configuration</p> <p>Increased Level Of Control & Privacy</p> <p>No Chains Or Cords Easy Operation Child Safe Superior Insulation</p> <p>Clutch Assisted Operation Superior Insulation</p> <p>Light Filtering & Blockout Configuration</p> <p>Increased Level Of Control & Privacy</p> <p>Clutch Assisted Operation Superior Insulation</p> <p>Easy Operation Motorised Wand Control Or Remote No Chains Or Cords Child Safe Superior Insulation</p> <p>Light Filtering & Blockout Configuration</p> <p>Increased Level Of Control & Privacy</p> <p>Easy Operation Motorised Wand Control Or Remote No Chains Or Cords Child Safe Superior Insulation</p>																							
Advantages	<p>Advantages</p> <p>Insulative Properties Keeps Homes Both Cooler In Summer & Warmer In Winter</p> <p>Fade Resistant</p> <p>Child Safe</p> <p>Dust Resistant</p> <p>Mould Resistant</p> <p>Repels Moisture</p> <p>PVC Free</p>																							
Fabric Options	<p>Fabric Options</p> <p>Blockout Standard: 45mm Cell-In-Cell - Cotton, Taupe B, Beige B, Ivory A, Classic Gray, Blue Wind, Gray Storm, Black</p> <p>Translucent Standard: 45mm Cell-In-Cell - Cotton, Taupe B, Beige B, Ivory A, Classic Gray, Blue Wind, Gray Storm, Black</p> <p>Cell-In-Cell Bamboo Translucent: 45mm Cell-In-Cell - Sticks & Stones, Antique Pewter</p> <p>Cell-In-Cell Bamboo Blockout: 45mm Cell-In-Cell - Sticks & Stones, Antique Pewter</p> <p>38mm Double Cell - Alabaster, Cotton, Jean Blue</p> <p>38mm Double Cell - Agate Red, Alabaster, Avocado, Black, Cocoa, Cotton, Cream, Gray Sheen, Ironstone, Jean Blue, Musk, Pongee, Rosegate, Royal Purple, Sangria, Snow White, Stone Red, Sweetmint, Water Green, Wisteria</p> <p>N/A</p> <p>N/A</p>																							
Day Night Option Available																								
Day Night Colours	Day Night Can Be Ordered With Any Combination Of The Same Cell Size Blockout & Translucent Colours.																							

Product	Transition Blind																	
Blind Type	Multi Shade														Triple Shade			
Custom Made Blind Range	Privacy/Blockout Standard ¹	Privacy/Blockout Woven ¹	Semi Blockout Grain	Semi Blockout Textured	Privacy Textured	Privacy Grain	Privacy Large	Jacquard Weave	Premium Blockout	Premium Blockout Woven	Premium Room Darkening	Premium Woven Room Darkening	Textured	Eco Friendly	Standard	Semi Blockout	Privacy Standard	Jacquard Weave
Window Types																		
Standard	✓	✓	✓	✓	✓	✓	✓	✓	✓	✓	✓	✓	✓	✓	✓	✓	✓	✓
Side By Side	✓ *	✓ *	✓ *	✓ *	✓ *	✓ *	✓ *	✓ *	✓ *	✓ *	✓ *	✓ *	✓ *	✓ *	✓ *	✓ *	✓ *	✓ *
Corner A Butt	✓	✓	✓	✓	✓	✓	✓	✓	✓	✓	✓	✓	✓	✓	✓	✓	✓	✓
Corner A Thru	✓	✓	✓	✓	✓	✓	✓	✓	✓	✓	✓	✓	✓	✓	✓	✓	✓	✓
Corner B Butt	✓	✓	✓	✓	✓	✓	✓	✓	✓	✓	✓	✓	✓	✓	✓	✓	✓	✓
Corner B Thru	✓	✓	✓	✓	✓	✓	✓	✓	✓	✓	✓	✓	✓	✓	✓	✓	✓	✓
Bay A	✓	✓	✓	✓	✓	✓	✓	✓	✓	✓	✓	✓	✓	✓	✓	✓	✓	✓
Bay B	✓	✓	✓	✓	✓	✓	✓	✓	✓	✓	✓	✓	✓	✓	✓	✓	✓	✓
Bay C	✓	✓	✓	✓	✓	✓	✓	✓	✓	✓	✓	✓	✓	✓	✓	✓	✓	✓
Blind Heights																		
Minimum Blind Height	300mm	300mm	300mm	300mm	300mm	300mm	300mm	300mm	300mm	300mm	300mm	300mm	300mm	300mm	300mm	300mm	300mm	300mm
Maximum Blind Height	3000mm	3000mm	3000mm	3000mm	3000mm	3000mm	3000mm	3000mm	3000mm	3000mm	3000mm	3000mm	3000mm	3000mm	3000mm	3000mm	3000mm	3000mm
Blind Widths																		
Minimum Blind Width	150mm	150mm	150mm	150mm	150mm	150mm	150mm	150mm	150mm	150mm	150mm	150mm	150mm	150mm	150mm	150mm	150mm	150mm
Motorised Minimum Blind Width	150mm	150mm	150mm	150mm	150mm	150mm	150mm	150mm	150mm	150mm	150mm	150mm	150mm	150mm	150mm	150mm	150mm	150mm
Maximum Blind Width	2950mm	2950mm	2950mm	2950mm	2950mm	2950mm	2950mm	2950mm	2950mm	2950mm	2950mm	2950mm	2950mm	2950mm	2950mm	2950mm	2950mm	2950mm
Maximum Window Width For Single Blind Option	2950mm	2950mm	2950mm	2950mm	2950mm	2950mm	2950mm	2950mm	2950mm	2950mm	2950mm	2950mm	2950mm	2950mm	2950mm	2950mm	2950mm	2950mm
Fitting Method																		
Face Fit	✓	✓	✓	✓	✓	✓	✓	✓	✓	✓	✓	✓	✓	✓	✓	✓	✓	✓
Recess Fit	✓	✓	✓	✓	✓	✓	✓	✓	✓	✓	✓	✓	✓	✓	✓	✓	✓	✓
Head Box Options																		
Beige	✓	✓	✓	✓	✓	✓	✓	✓	✓	✓	✓	✓	✓	✓	✓	✓	✓	✓
Black	✓	✓	✓	✓	✓	✓	✓	✓	✓	✓	✓	✓	✓	✓	✓	✓	✓	✓
Dark Brown	✓	✓	✓	✓	✓	✓	✓	✓	✓	✓	✓	✓	✓	✓	✓	✓	✓	✓
Grey	✓	✓	✓	✓	✓	✓	✓	✓	✓	✓	✓	✓	✓	✓	✓	✓	✓	✓
Ivory	✓	✓	✓	✓	✓	✓	✓	✓	✓	✓	✓	✓	✓	✓	✓	✓	✓	✓
Light Brown	✓	✓	✓	✓	✓	✓	✓	✓	✓	✓	✓	✓	✓	✓	✓	✓	✓	✓
White	✓	✓	✓	✓	✓	✓	✓	✓	✓	✓	✓	✓	✓	✓	✓	✓	✓	✓
Fabric Insert Option	✓	✓	✓	✓	✓	✓	✓	✓	✓	✓	✓	✓	✓	✓	✓	✓	✓	✓
Bottom Rail Options																		
Bottom Rail Type	Trapezium Profile	Trapezium Profile	Trapezium Profile	Trapezium Profile	Trapezium Profile	Trapezium Profile	Trapezium Profile	Square Profile With Fabric Insert	Trapezium Profile	Trapezium Profile	Trapezium Profile	Trapezium Profile	Trapezium Profile	Trapezium Profile	Trapezium Profile	Shuttle Oval Profile	Shuttle Oval Profile	Shuttle Oval Profile
Beige	✓	✓	✓	✓	✓	✓	✓	✓	✓	✓	✓	✓	✓	✓	✓	✓	✓	✓
Black	✓	✓	✓	✓	✓	✓	✓	✓	✓	✓	✓	✓	✓	✓	✓	✓	✓	✓
Dark Brown	✓	✓	✓	✓	✓	✓	✓	✓	✓	✓	✓	✓	✓	✓	✓	✓	✓	✓
Grey	✓	✓	✓	✓	✓	✓	✓	✓	✓	✓	✓	✓	✓	✓	✓	✓	✓	✓
Ivory	✓	✓	✓	✓	✓	✓	✓	✓	✓	✓	✓	✓	✓	✓	✓	✓	✓	✓
Light Brown	✓	✓	✓	✓	✓	✓	✓	✓	✓	✓	✓	✓	✓	✓	✓	✓	✓	✓
White	✓	✓	✓	✓	✓	✓	✓	✓	✓	✓	✓	✓	✓	✓	✓	✓	✓	✓
Special Options Available																		
Door Cutters	✓	✓	✓	✓	✓	✓	✓	✓	✓	✓	✓	✓	✓	✓	✓	✓	✓	✓
Motorisation	✓	✓	✓	✓	✓	✓	✓	✓	✓	✓	✓	✓	✓	✓	✓	✓	✓	✓
Multiple Blinds	✓	✓	✓	✓	✓	✓	✓	✓	✓	✓	✓	✓	✓	✓	✓	✓	✓	✓
Notes	¹ Previously called Blockout Standard, now called Privacy Standard. ² Previously called Blockout Woven, now called Privacy Woven. * Side By Side Transition Blinds will be made with manufacturing tolerances. * Motorisation is available with a 1 channel remote, or 2, 5 and 15 channels by special request.																	

Product	Transition Blind																	
Blind Type	Multi Shade														Triple Shade			
Custom Made Blind Range	Privacy/Blockout Standard	Privacy/Blockout Woven	Semi Blockout Grain	Semi Blockout Textured	Privacy Textured	Privacy Grain	Privacy Large	Jacquard Weave	Premium Blockout	Premium Blockout Woven	Premium Room Darkening	Premium Woven Room Darkening	Textured	Eco Friendly	Standard	Semi Blockout	Privacy Standard	Jacquard Weave
Selling Features	Excellent Light & Privacy Control Compact & Neat Window Covering Blockout Fabric Reduce Heat & Glare	Excellent Light & Privacy Control Compact & Neat Window Covering Blockout Fabric Woven Pattern Reduce Heat & Glare	Excellent Light & Privacy Control Compact & Neat Window Covering Semi Blockout Fabric Grain Pattern	Excellent Light & Privacy Control Compact & Neat Window Covering Semi Blockout Fabric Textured Pattern	Excellent Light & Privacy Control Compact & Neat Window Covering Blockout Fabric Textured Pattern Reduce Heat & Glare	Excellent Light & Privacy Control Compact & Neat Window Covering Blockout Fabric Grain Pattern Reduce Heat & Glare	Excellent Light & Privacy Control Compact & Neat Window Covering Blockout Fabric Reduce Heat & Glare	Excellent Light & Privacy Control Compact & Neat Window Covering Weave Fabric	Excellent Light & Privacy Control Compact & Neat Window Covering Blockout Fabric Reduce Heat & Glare	Excellent Light & Privacy Control Compact & Neat Window Covering Blockout Fabric Woven Pattern Reduce Heat & Glare	Excellent Light & Privacy Control Compact & Neat Window Covering Room Darkening Fabric Reduce Heat & Glare	Excellent Light & Privacy Control Compact & Neat Window Covering Room Darkening Fabric Woven Pattern Reduce Heat & Glare	Excellent Light & Privacy Control Compact & Neat Window Covering Room Darkening Fabric Textured Pattern	Excellent Light & Privacy Control Compact & Neat Window Covering Reduce Heat & Glare Made From 87% Recycled Yarn Content	Maintain Privacy While Allowing Light	Maintain Privacy While Allowing Light	Maintain Privacy While Allowing Light	Maintain Privacy While Allowing Light
Fabric Material Properties																		
Finish	Blockout Standard	Blockout Woven	Semi Blockout Grain	Semi Blockout Textured	Privacy Textured	Privacy Grain	Privacy Large	Jacquard Weave	Premium Blockout	Blockout Woven	Premium Room Darkening	Premium Woven Room Darkening	Textured	Eco Friendly	Standard	Semi Blockout	Privacy Standard	Jacquard Weave
Composition	100% Polyester	100% Polyester	100% Polyester	100% Polyester	100% Polyester	100% Polyester	100% Polyester	100% Polyester	100% Polyester	100% Polyester	100% Polyester	100% Polyester	100% Polyester	100% Polyester (87% Recycled Yarn Content)	70% Polyester & 30% RM	100% Polyester	100% Polyester	100% Polyester
Colour Fastness	7 to 8	6 to 8	6 to 7	6 to 7	6 to 7	6 to 7	6 to 7	6 to 8	6 to 7	7 to 8	6 to 7	6 to 7	7 to 8	4 to 5	7 to 8	7 to 8	7 to 8	7 to 8
Fabric Weight Per m	163g (+/- 5%)	227g (+/- 5%)	173g (+/- 5%)	109g (+/- 5%)	172g (+/- 5%)	184g (+/- 5%)	200g (+/- 5%)	132g (+/- 5%)	193g (+/- 5%)	172g (+/- 5%)	140g (+/- 5%)	140g (+/- 5%)	120g (+/- 5%)	118g (+/- 5%)	207g (+/- 5%)	209g (+/- 5%)	470g (+/- 5%)	211g (+/- 5%)
Advantages																		
Insulative Properties <small>Keeps Homes Both Cooler in Summer & Warmer in Winter</small>	✓	✓	✓	✓	✓	✓	✓	✓	✓	✓	✓	✓	✓	✓	✓	✓	✓	✓
Fade Retardant	✗	✗	✗	✗	✗	✗	✗	✗	✗	✗	✗	✗	✗	✗	✗	✗	✗	✗
Dust Resistant	✓	✓	✓	✓	✓	✓	✓	✓	✓	✓	✓	✓	✓	✓	✓	✓	✓	✓
Mould Resistant	✓	✓	✓	✓	✓	✓	✓	✓	✓	✓	✓	✓	✓	✓	✓	✓	✓	✓
Repels Moisture	✓	✓	✓	✓	✓	✓	✓	✓	✓	✓	✓	✓	✓	✓	✓	✓	✓	✓
Colours																		
Colour	Almond BL002 Bark BL912 Chalk BL901 Ginger BL905 Iron Ore BL904 Midnight BL913 Musk BL903 Otter BL907 Steel BL911	Bonsai B1007 Blacken B1008 Cherrywood B1011 Fossil B1003 Mercury B1005 Meringue B1001 Onyx B1012 Sorbet B1004 Spin Sugar B1002 Thistle B1009 Walnut B1010	Cloud BL4801 Dove BL4802 Hazy BL4805 Iron BL4806 Oat BL4803 Stone BL4804	Ashen BL5207 Bone BL5204 Chiffon BL5206 Cream BL5203 Daisy BL5201 Hazel BL5205 Leather BL5211 Ocean BL5209 Pale BL5202 Royal BL5210 Smoky BL5208	Coffee BL5000 Coin BL5004 Lace BL5002 Linen BL5003 Porcelain BL5001 Shadow BL5006	Biscuit BL5802 Bright Silver BL5801 Honey BL5803 Jet Black BL5808 Sea BL5805 Spruce BL5806 Steel Blue BL5807 Steel Grey BL5804	Blonde BL4602 Dust BL4604 Frost BL4601 Pebble BL4611 Snow BL4600	Cappuccino LV105 Maple LV104 Polar LV101 Rhodium LV103 Slate LV107 Soot LV106 Straw LV102	Champagne BL3004 Dark BL3005 Oak BL3006 Oatmeal BL3003 Silver BL3001 Warm Grey BL3002	Cold Metal BL2004 Desert Sand BL2003 Espresso BL2008 Honeycomb BL2006 Latte BL2002 Natural BL2001 Slate BL2005 Walnut BL2007	Chocolate BL212 Cotton BL201 Grey BL207 Macadamia BL202 Metal BL208 Sand BL203 Taupe BL210	Ash B512 Autumn B505 Haze B514 Ivory B501 Light Bark B504 Marshmallow B511 Mocha B506 Peacock B503 Safari B513 Sandstone B502 Storm B515	Acorn B113 Alabaster B102 Baby Blue B120 Baby Pink B116 Blue Fizz B106 Charcoal B112 CheeseCake B114 Chinchilla B110 Earth B111 Grape B115 Ivory B121 Lime B108 Marble B109 Mint B119 Mocha B122 Peach B103 Pink Fizz B105 Platinum B125 Pumice B107 Rustic B118 Smoke B124 Snowy B101 Tan B117 Violet B104	Frosted GRS101 Caramel GRS102 Stormy Grey GRS103	Blue Lagoon S607 Chocolate S611 Desert S605 Eggshell S603 Ghost White S601 Popped Corn S602 Purple S609 Titanium S606	Beige SP102 Lead SP103 Powder SP101 Umber SP104	Buttermilk SP1002 Pearl SP1001 Powder SP1003 Wood SP1004	Order SH206 Coconut SH201 Fawn SH203 Graphite SH205 Havemut SH202 Soft Grey SH204